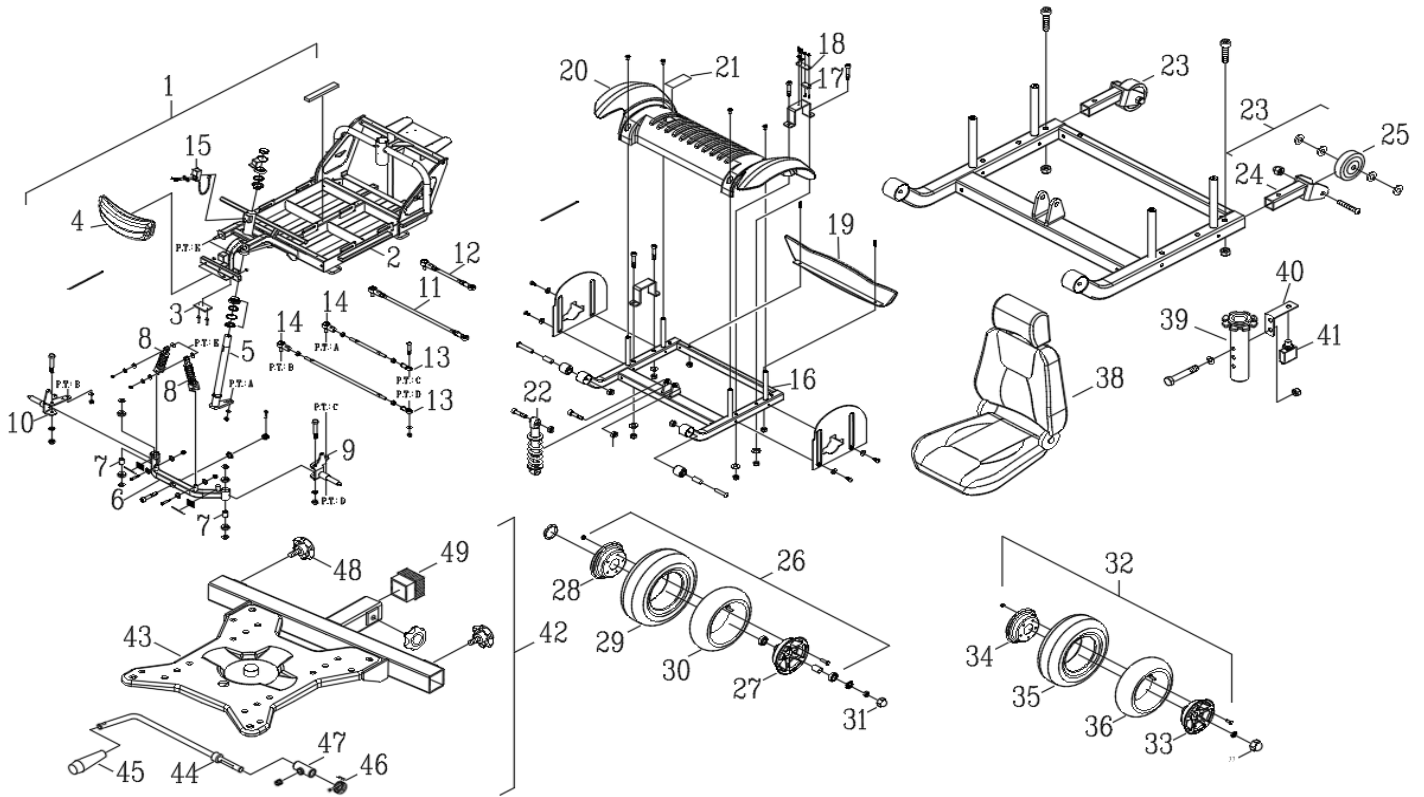
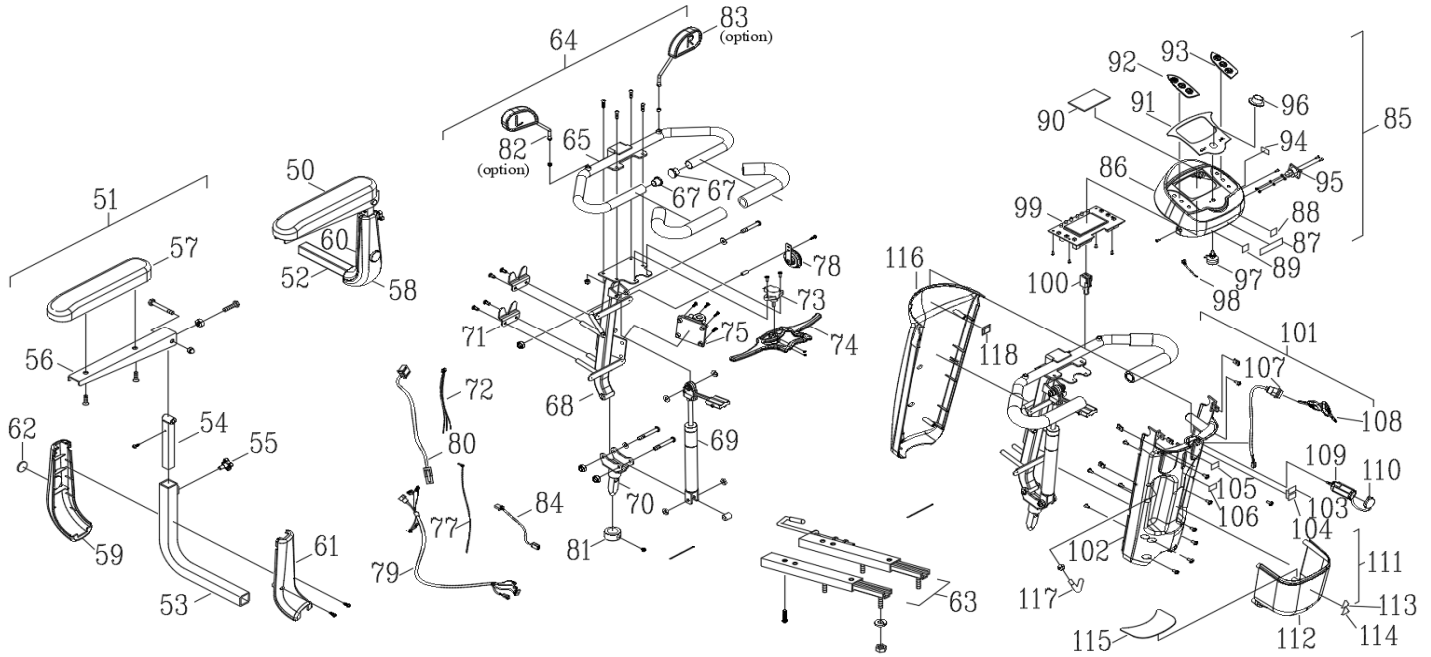


MODEL#S946A4SW
SW : S946A4SPSWB, S946A4BGSWB, S946A4DGSWB

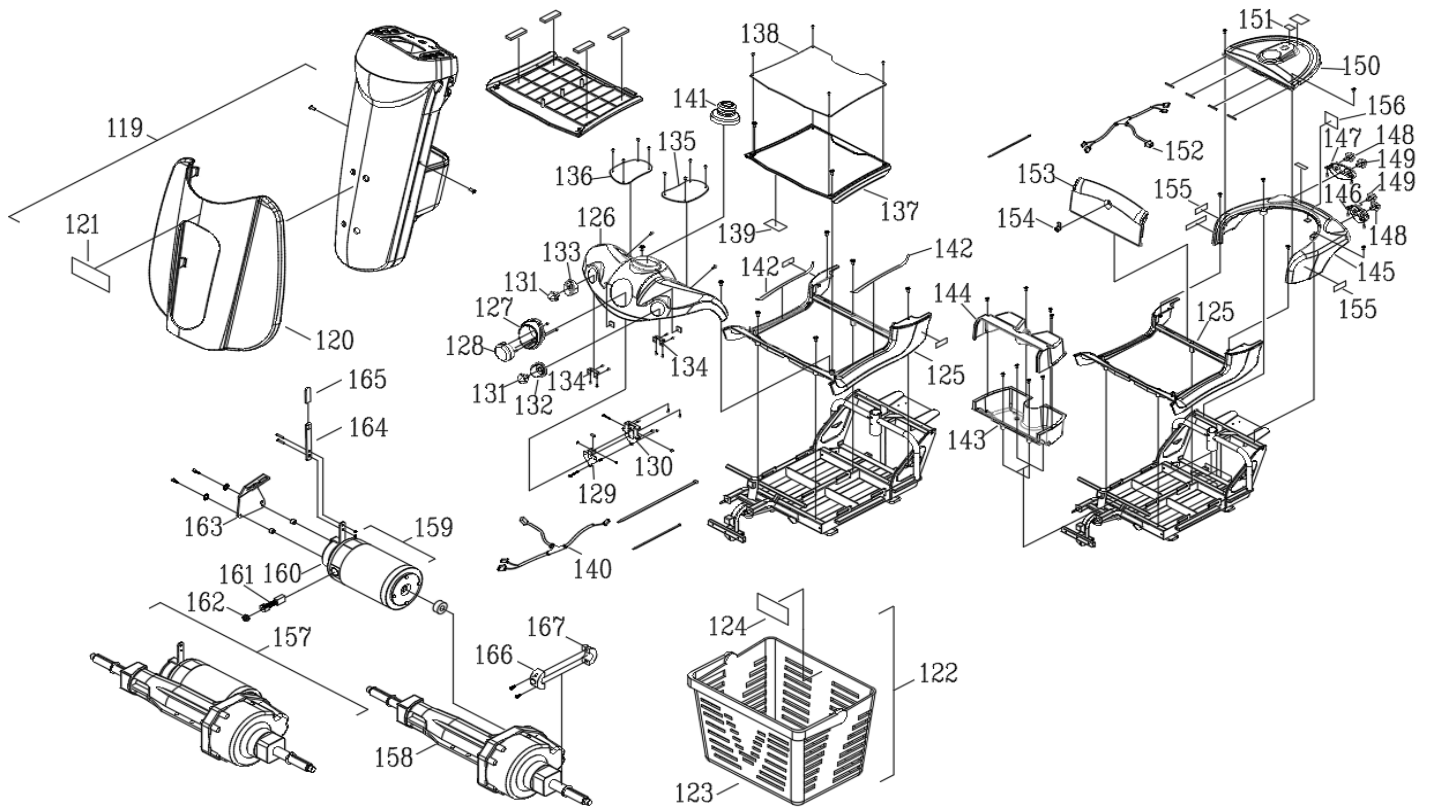
Rev: 0



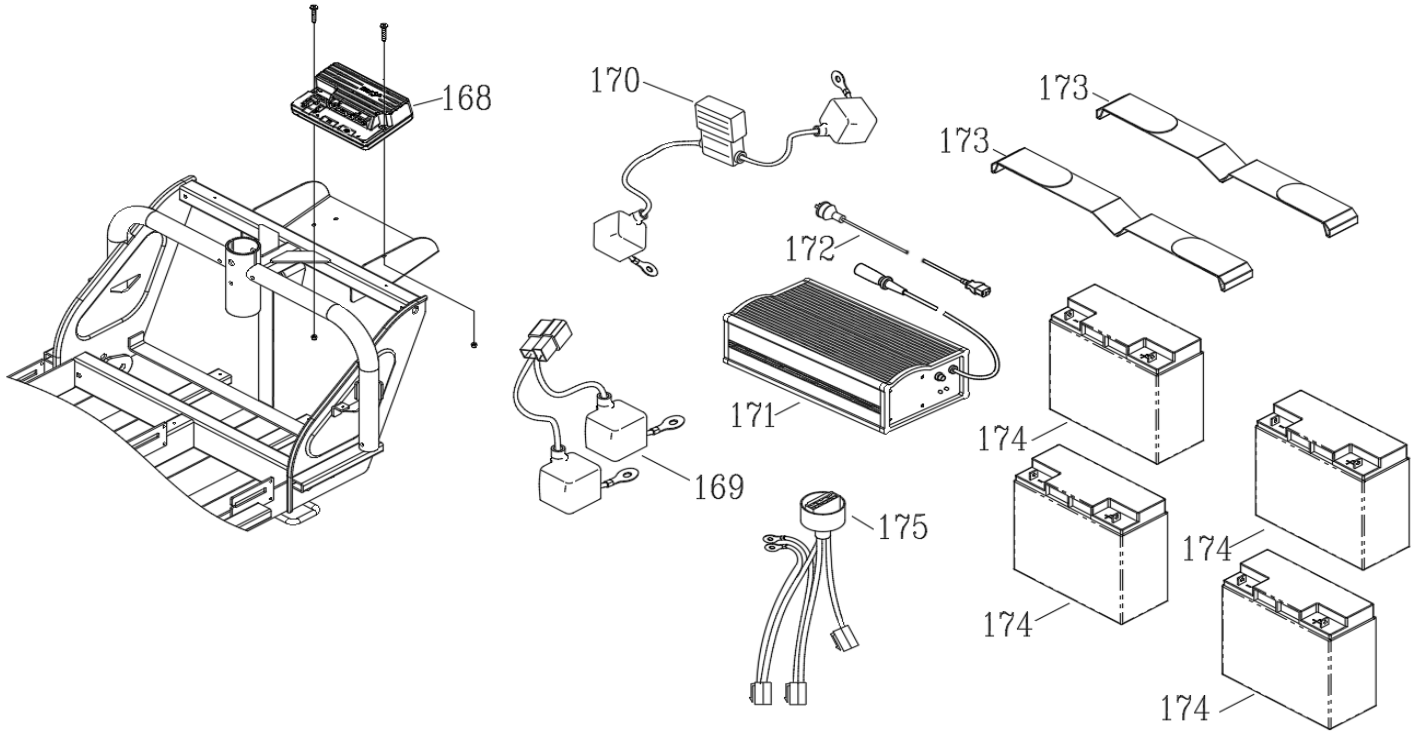
REF#	PART NO.	DESCRIPTION	REF#	PART NO.	DESCRIPTION	REF#	PART NO.	DESCRIPTION
1	30300730	FRONT FRAME ASS'Y., FRONT SUSPENSION,	18	41200487	SUPPORTING BRACKET FOR SPRING SWITCH, S641	35	44689066	TIRE ONLY,4.10-5(C-154) BLACK
2	30304053	FRONT FRAME ONLY, S946A	19	30400425	REAR BUMPER , BLACK, PU FOAM	36	44689133	INNER TYRE,4.10-5
3	44200013	BUFFER,RUBBER	20	43690428	MOTOR COVER, BLACK, ABS	37	34227002	SCREW COVER,M10,REAR, SILVER
4	30300612	FRONT BUMPER , BLACK, PU FOAM	21	75143208	DECAL, FREE-WHEELING,WHITE	38	32228015	CAPTAIN SEAT ONLY,18*16*18" W/ RECLINE & BLACK COLOR
5	30303345	TURN TUBE COMPLETE (ED)	22	41780061	ABSORBER, 180L(1000LBS/IN)	39	30300613	UPPER SEAT POST ASSY.
6	30303346	FRONT CROSS BEAM, S946	23	30400424	ANTI-TIPPER ASS'Y., S946	40	41280202	FIXED SHELF FOR CIRCUIT BREAKER
7	41380209	SPACER,CONTROLLER BRACKET	24	30403139	ANTI-TIPPER TUBE, ED, S946	41	61120084	CIRCUIT BREAKER.
8	41700096	SUSPENSION, DV-7M-130L, RED	25	43600294	ANTI-TIP WHEEL	42	32100039	SEAT BASE WITH RELEASE LEVER ASSY
9	30303347	FRONT WHEEL AXLE ONLY, LH, S946	26	33100786	FRONT WHEEL ASSY, BLACK,5 HOLES	43	32103017	SEAT PLATE ONLY
10	30303348	FRONT WHEEL AXLE ONLY, RH, S946	27	42500148	FRONT WHEEL RIM(5"),W/O LOGO,5 HOLES	44	24210002	RELEASE LEVER, "L" TYPE
11	30302021	TRACK ROD (LONG) ONLY	28	41200536	STEEL CENTER, BLACK, 5 HOLES	45	44600060	BLACK TIP, R.LEVER
12	30302022	ADJUST SHAFT ONLY	29	44689066	TIRE ONLY,4.10-5(C-154) BLACK	46	53500029	TORQUE SPRING,LEVER
13	41300088	BALL JOINT, φ8, LH.	30	44689133	INNER TYRE,4.10-5	47	41500007	LOCATING,R.LEVER
14	53400030	INDPART1759. BALL JOINT STEERING, RH	31	34227001	SCREW COVER (M10)	48	43600270	KNOB, M10*13L
15	63742002	SENSOR, HALF SPEED	32	32600530	REAR DRIVE WHEELS ASSY.	49	43600306	PLUG, SQUARE, 30*30
16	30404016	REAR FRAME ONLY, S946	33	42500149	5" ALU. RIM, REAR WHEEL,BLACK 5 HOLE			
17	61090063	SPRING SWITCH,PS8-23	34	41200536	STEEL CENTER, BLACK, 5 HOLES			



REF#	PART NO.	DESCRIPTION	REF#	PART NO.	DESCRIPTION	REF#	PART NO.	DESCRIPTION
50	31000325	ARMREST ASS'Y L/RBLACK	73	61010047	POTENTIOMETER	98	63500018	CONNECTING WIRE, SPEED POT
51	31000326	ARMREST ASS'Y R/RBLACK	74	43601255	THROTTLE LEVER SET	99	61108248	LCD BOARD, S946
52	31003036	ARM TUBE ONLY, LH	75	61100069	POWER CONVERT BOARD	100	63680022	POWER CONVERSION WIRING
53	31003037	ARM TUBE ONLY, RH	76	50104003	SCREW, M4*15L	101	30500437	REAR DASHBOARD ASS'Y., 12V
54	31003069	ARMREST INNER TUBE	77	63570904	HORN WIRE	102	43690400	REAR DASHBOARD ONLY, GRAY/BLACK
55	43600317	KNOB, M8*15L	78	61170007	HORN ONLY	103	75147905	LABEL, 12 VOLTS, GRAY, 30*15
56	31003070	ARMREST BASE BRACKET	79	63180080	MAIN CABLE FOR TILLER, S946	104	75171109	LABEL, MAX. 5A, GRAY, 30*15
57	43780254	ARM PAD,BLACK,AS-211 PU	80	63453026	HEADLIGHT SWITCH WIRING, S946	105	75171295	STICKER, TILLER ADJUST, LOCK
58	43610500	PROTECTIVE SHROUD (L),ARMREST, ABS, BLACK	81	41300109	CLAMP RING, SCOOTER, 19L	106	75171296	STICKER, TILLER ADJUST, RELEASE
59	43610501	PROTECTIVE SHROUD (R),ARMREST, ABS, BLACK	82	46781041	LEFT SIDE MIRROR.FO-297,2 TONE	107	63700036	KEY SWITCH W/CONNECTING WIRE, S830
60	43610502	PROTECTIVE COVER (L),ARMREST, ABS, BLACK	83	46781042	RIGHT SIDE MIRROR.FO-297,2 TONE	108	33700217	KEY SET
61	43610503	PROTECTIVE COVER (R),ARMREST, ABS, BLACK	84	63742003	SENSOR, HALF SPEED	109	61138003	CABLE, PLUG.
62	43600546	REFLECTOR,PE146, AMBER	85	30500435	UPPER DASHBOARD ASS'Y., S946	110	61230106	12V SOCKET COVER.
63	41700077	SLIDE MECH. ASS'Y., WITH RELEASE LEVER	86	43690398	UPPER DASHBOARD ONLY, GRAY/BLACK, S946	111	30500439	OVERHEAD BIN ASS'Y., S946
64	33900054	TILLER ASS'Y., PEARL GOLD, S946	87	75171313	LABEL,TURN WARNING	112	43690401	OVERHEAD BIN, GRAY/BLACK
64	33900055	TILLER ASS'Y., M BLACK, S946	88	75146302	STICKER,FORWARD,24*15L, S643	113	75145219	LABEL, POWER OFF, 50*44.6L
64	33900056	TILLER ASS'Y., EMERALD GREEN, S946	89	75146303	STICKER,BACKWARD,25*15L	114	75145218	LABEL, READ & FOLLOW, 50*44.6L
65	33503152	UPPER LOOP TILLER ONLY, S946	90	43690399	LCD COVER BOARD	115	44689127	GLOVE PAD, BLACK
66	45700102	PU FOAM COATING	91	75171294	STICKER, DASHBOARD	116	30529102	FRONT DASHBOARD ONLY, PEARL GOLD, S946
67	43600037	7/8" PLUG, BLACK	92	44689128	KEY PAD(L)	116	30540149	FRONT DASHBOARD ONLY, M BLACK, S946
68	33503153	TILLER ONLY, ED, S946	93	44689129	KEY PAD(R)	116	30550251	FRONT DASHBOARD ONLY, EMERALD GREEN, S946
69	41300366	ELEVATING CYLINDER	94	75141414	STICKER, CHARGER PORT	117	41300631	HOOK,BLK,S150
70	33503141	LOWER LEVER BRACKET, TILLER	95	33700256	CHARGER SOCKET SET	118	61210034	CLIP, SELF-MOUNT
71	41200199	BASKET BRACKET 2.5T	96	61188009	KNOB			
72	63500021	CONNECTING WIRE (POT)	97	61020006	POTENTIOMETER., VR30K, COSMOS RV24			



REF#	PART NO.	DESCRIPTION	REF#	PART NO.	DESCRIPTION	REF#	PART NO.	DESCRIPTION
119	30500997	MODESTY PANEL ASS'Y., SILVER GRAY	134	41280349	FIXING PLATE LAMP, ED	151	75141406	STICKER FOR BREAKER
120	30522820	MODESTY PANEL ONLY, SILVER GRAY	135	44689124	RUBBER MAT, BLACK, FRONT(L)	152	63453013	REAR LAMP WIRE
121	75171638	DECAL, Country Care	136	44689125	RUBBER MAT, BLACK, FRONT(R)	153	43690397	PAR CASE COVER, GRAY/BLACK
122	30300296	PLASTIC BASKET W/ HANDLE	137	43690395	FRONT SHROUD ONLY(UPPER), GRAY/BLACK	154	46700062	TRUNK LOCK,641
123	43780088	BASKET, PLASTIC	138	44689126	RUBBER MAT, BLACK	155	75171639	DECAL, Wanderer
124	75143224	BASKET LOAD STICKER	139	75171297	BATTERY WIRING STICKER	156	75171638	DECAL, Country Care
125	30529096	FRONT SHROUD ONLY(REAR), PEARL GOLD, S946	140	63453025	HEADLIGHT CABLE	157	62009093	TRANSAXLE & MOTOR ASS'Y., M433+M3FJ-23
125	30540147	FRONT SHROUD ONLY(REAR), M BLACK, S946	141	44600317	RUBBER BOOT, NBR, φ114*65, EU	158	62203062	TRANSAXLE,M433(2P)
125	30550253	FRONT SHROUD ONLY(REAR), EMERALD GREEN, S946	142	43690426	SCUFFING GUARD TAP, PVC, 10*480L	159	62109085	MOTOR,M3FJ-23
126	30529095	FRONT SHROUD ONLY(FRONT), PEARL GOLD, S946	143	43690393	PAR CASE COVER(LOWER), GRAY/BLACK	160	62302038	ELECTRICMAGNETIC BRAKE
126	30540150	FRONT SHROUD ONLY(FRONT), M BLACK, S946	144	43690394	PAR CASE COVER(UPPER), GRAY/BLACK	161	62400012	DRVBRSHI020. CARBON BRUSH, 7*11MM
126	30550254	FRONT SHROUD ONLY(FRONT), EMERALD GREEN, S946	145	30529097	REAR SHROUD ONLY, PEARL GOLD, S946	162	62400026	PLSINDV1209. CARBON BRUSH CAP FOR SCOOTER MOTOR, 7*11MM
127	30527071	FRONT LAMPSHADE, SILVER	145	30540148	REAR SHROUD ONLY, M BLACK, S946	163	41280352	MOTOR MOUNTING PLATE, ED
128	61200215	LED LIGHT	145	30550252	REAR SHROUD ONLY, EMERALD GREEN, S946	164	41280353	FREE-WHEELING, ED
129	41280350	FIXING PLATE LAMP, ED	146	30527074	REAR LAMPSHADE, LH, SILVER	165	43701040	TIP,RELEASE LEVER,RED
130	41280351	LAMP SUPPORT PLATE, ED	147	30527075	REAR LAMPSHADE, RH, SILVER	166	41300440	SENSOR BOND 1 W/MAG.
131	61200214	LED LAMPS, YELLOW	148	61200214	LED LAMPS, YELLOW	167	41300441	SENSOR BOND 2
132	30527072	SHADE DIRECTION, SILVER, LH	149	61200213	LED TAILLIGHTS, RED			
133	30527073	SHADE DIRECTION, SILVER, RH	150	43690396	REAR SHROUD(UPPER), GRAY/BLACK			



REF#	PART NO.	DESCRIPTION	REF#	PART NO.	DESCRIPTION	REF#	PART NO.	DESCRIPTION
168	64510006	CONTROLLER, DS 90 RHINO 2						
169	63270445	BATTERY CONNECTING WIRE						
170	63270428	BATTERY SERIES CONNECTING WIRE						
171	65140414	CHARGER, HP0180WB 24V/5A-OFF BOARD						
172	63600035	AC CORD FOR AUSTRALIA						
173	43700272	BATTERY STRAP						
174	66110011	BATTERY 22-12 12V/22AH						
175	63370463	CONTROLLER CONNECTING WIRE						