

Owner's Manual



➤ S840A



➤ S830



➤ S840

Table of Contents

Introduction

Practice before Operating	2
---------------------------------	---

Safety Instructions

Safety Considerations	4
Driving Outdoors	7
Use caution when driving on hills.....	9

Familiarize Yourself with yours Scooter

Feature Diagram	11
C102 Parallel Tiller	13
C102 Parallel Tiller(LCD)	14
C101 Parallel Tiller	15
C101 Parallel Tiller(LCD)	16
B Serial Tiller	17
Safety Precautions	18
Batteries	19
Disassembly of the scooter for S840	20
Disassembly and Assembly of the scooter for S840	21
Disassembly of the scooter for S840A	23
Disassembly and Assembly of the scooter for S840A	24

Operating your Scooter

Controls (C102 Parallel tiller, Digital dashboard).....	27
Controls (C102 Paraller Tiller,LCD dashboard).....	29
Controls (C101 Parallel tiller, analong dashboard).....	31
Controls (C101 Paraller Tiller,LCD dashboard).....	33
Controls (B Serial tiller, analong dashboard).....	35
Controls (B Serial tiller, digital dashboard).....	37
Seat adjustment	40
Tiller Angle Adjustment	41

Technical Specifications

42

Driving up and down gradients

43

Warranty

Limited Warranty	44
------------------------	----

Ice Symbols

45

Welcome aboard your new scooter, and thank you for choosing our product. Please read this manual carefully, and follow all instructions before attempting to operate your scooter for the first time. If there is anything in this manual that you do not understand, or if you require additional assistance for setting up your scooter, please contact your local dealer.

This latest model is designed for specific practical user needs, combining solid, rugged construction, and modern high-tech electronics, to enhance safety and performance.

With a state-of-the-art, programmable electronic control system, your scooter can be programmed and adjusted within a given range of its performance characteristics, to suit your individual needs. The controller is set up at the factory to give the scooter nominal operating performance characteristics.

After becoming familiar with the basic operation of the scooter, you may wish to customize the settings to fit your own personal preferences. A wide range of customization options can be adjusted such as acceleration, deceleration, maximum speed, turning speed, safety controls, and so on. Contact your local dealer for advice on additional equipment you may need.

Having your scooter checked regularly by your local dealer is the best way to ensure smooth operation and safety.

This manual provides users practical tips and information on safety issues, operation, and maintenance. Please read it very carefully to ensure your maximum enjoyment and to fully benefit from your independence and mobility.

Whenever special advice or attention is needed, please contact your local dealer, who has the tools and know-how to provide expert servicing for your scooter.

Your satisfaction and opinions are highly valued by both your local dealer and Merits. Please be sure to fill out the enclosed guarantee form, and return it to your local dealer. The information is necessary for providing you with the best service, and to be sure all of your needs are met.

Failure to follow these instructions may result in damage to the scooter or serious injury.

■ Practice Before Operating

Find an open area such as a park and have an assistant to help you practice until you have confidence operating this vehicle.

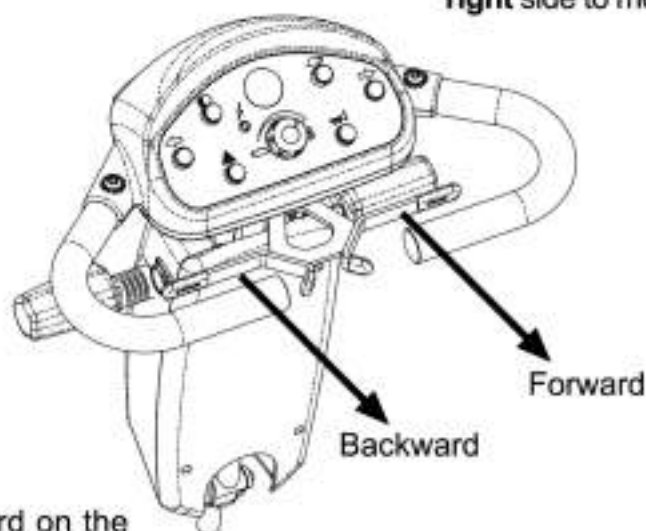
Make sure the unit is OFF before getting on or off. Set the speed control knob according to your driving ability.

We recommend that you keep the speed at the slowest position (fully counter-clockwise) until you are familiar with the driving characteristics of this vehicle.



Stop, forward, and reverse operation practice

Pull the lever forward on the **right** side to move **FORWARD**



Pull the lever forward on the **left** side to move **BACKWARD**

Getting familiar with this vehicle



**First, practice moving forward.
Be sure to set the speed to the lowest setting.**



**After becoming familiar with moving forward,
practice making "S" turns.**



**Once you are familiar with "S" turns, practice
moving in reverse. Note that at any speed control
setting, the vehicle moves more slowly in reverse
than forward**

■ Safety Considerations

DO NOT do any of the following



NO!

Do not carry any passengers



NO!

Do not drive across a slope



NO!

Do not drink and drive

Consult your physician to determine, if your medications impair your ability to control this vehicle



NO!

Do not tow a trailer



NO!

Do not turn on or use hand-held personal communication devices such as citizens band (CB) radios and cellular phones

This vehicle has an immunity level of 20 V/m which should protect it from Electromagnetic Interference(EMI) from Radio Wave Sources. The rapid development of electronics, especially in the area of communications, has saturated our environment with electromagnetic (radio) waves that are emitted by television, radio and communication signals. These EM waves are invisible and their strength increases as one approaches the source. All electrical conductors act as antennas to the EM signals and, to varying degrees, all power wheelchairs and scooters are susceptible to electromagnetic interference (EMI). This interference could result in abnormal, unintentional movement and/or erratic control of the vehicle. The United Statement be incorporated to the user's manual for all electric scooter.

Powered wheelchairs and electric scooters(in this text, both will be referred to as powered wheelchairs) may be susceptible to electomagnetic interference(EMI), which is interfering electromagnetic energy emitted from sources such as radio stations, TV stations, amateur radio (HAM) transmitters, two-way radios and cellular phones. The interference (from radio wave sources) can cause the powered wheelchair to release its brakes, move by itself or move in unintended directions. It can also permanently damage the powered wheelchair's control system. The intensity of the EM energy can be measured in volts per meter (V/m). Each powered wheelchair can resist EMI up to a certain intensity. This is called the "immunity level." The highedr the immunity level, the greater the protection. At this time, current technology is capable of providing at least 20 V/m of immunity level which would provide useful protection against common sources of radiated EMI.

Following the warnings listed below should reduce the chance of unintended brake release or powered wheelchair movement that could result in serious injury:

- 1) Do not turn on hand-held personal communication devices such as citizens band (CB) radios and cellular phones while the powered wheelchair is turned on.
- 2) Be aware of nearby transmitters such as radio or TV stations and try to avoid coming close to them.

- 3) If unintended movement or brake release occurs, turn the powered wheelchair off as soon as it is safe.
- 4) Be aware that adding accessories or components, or modifying the powered wheelchair, may make it more susceptible to interference from radio wave sources. (Note: there is no easy way to evaluate their effect on the overall immunity of the powered wheelchair).
- 5) Report all incidents of unintended movement or brake release to the powered wheelchair manufacturer, and note whether there is a radio wave source nearby.

TURN OFF YOUR SCOOTER AS SOON AS POSSIBLE WHEN EXPERIENCING ANY OF THE FOLLOWEING:

1. Unintentional motions.
2. Unintended or uncontrollable direction.
3. Unexpected brake release.

The FDA has written to the manufacturers of power wheelchairs, asking them to test their new products to be sure they provide a reasonable degree of immunity against EMI. The letter says that powered wheelchairs should have an immunity level of at least 20 V/m, which provide a reasonable degree of protection against the more common sources of EMI. The higher the level, the greater the protection.

■ Driving Outdoors

When you are on the road, please pay attention to the following:



NO!

Do not drive in traffic.



NO!

Do not drive beside a river, port, or lake without a fence or railing.



NO!

If possible, do not drive during the rain.



NO!

If possible, do not drive during or on snow.



NO!

Do not drive off-road or on any uneven surfaced roads.



NO!

If possible, do not drive at night.



NO!

Make sure that there are no obstacles behind you when in reverse.

We recommend to set the speed knob at the lowest speed for reversing.



NO!

Do not make sudden stops, weave erratically, or make sharp turns.



NO!

Keep your arms on or inside the armrests and feet on the footrest at all time.



NO!

Do not attempt to climb curbs greater than 2"(5cm).



NO!

Do not attempt to cross over a gap greater than 4"(10cm).

■ Use caution when driving on hills

Driving on hills is more dangerous than on level surfaces. If you fail to heed these warnings, a fall, tip-over or loss of control may occur and cause severe injury to the vehicle user or others.



NO!

Do not attempt to climb a hill greater than 10°



NO!

Do not reverse while driving up a hill.

Forward only. If you reverse while moving up a hill, it may cause the vehicle to tip over.



NO!

Do not attempt to drive across a sloping surface greater than 3°

Driving across a slope greater than 3° is very dangerous and may cause the vehicle to tip over.



NO!

Use caution when driving over soft, uneven or unprotected surfaces such as grass, gravel and decks.



NO!

Use low speed while driving down hill.

When going down hill, the tiller will become harder to reach and handle. When braking while moving down hill, the scooter will take longer to come to a complete stop.



NO!

Do not get in and off on a hill.

Always stop on the level surface to get in and get out of the vehicle.



NO!

Do not load or carry heavy items in the basket while driving down hill.



YES!

Always climb or descend gradients perpendicular to the slope or ramp.

■ Feature Diagram



1. Tiller
2. Control panel
3. Tiller adjustment lever
4. Removable seat
5. Adjustment armrest
6. Rear light
7. Drive wheel
8. Rear shroud

9. Seat pivot lever
10. Seat position adjuster
11. Rug
12. Front wheel
13. Front bumper
14. Front shroud
15. Basket
16. Headlight

■ Feature Diagram



S840A

- | | |
|----------------------------|---------------------------|
| 1. Tiller | 8. Seat pivot lever |
| 2. Control panel | 9. Seat position adjuster |
| 3. Tiller adjustment lever | 10. Rug |
| 4. Removable seat | 11. Front wheel |
| 5. Adjustment armrest | 12. Front bumper |
| 6. Rear light | 13. Basket |
| 7. Drive wheel | 14. Headlight |

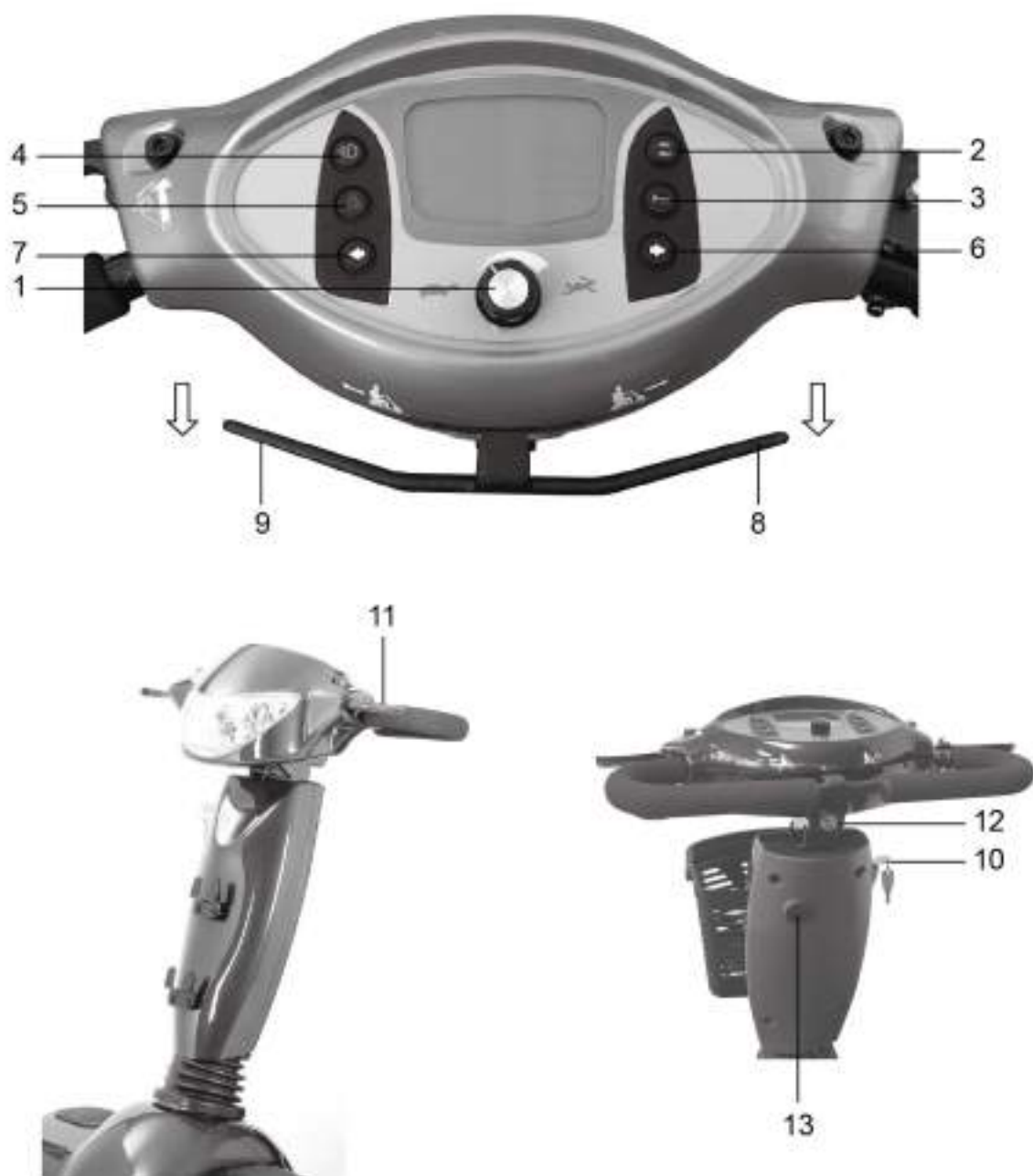
C102 Parallel Tiller



1. Status indicator
2. Battery condition meter
3. Speed adjustment dial
4. Half speed button
5. Horn
6. Light button
7. Hazard light button

8. Turn signal button (R)
9. Turn signal button (L)
10. Throttle control lever (forward)
11. Throttle control lever (backwards)
12. Key switch
13. Tiller angle adjustment lever
14. Off board charger receptacle
15. **ONLY FOR GPS/MOBILE PHONE
(5A FUSE ONLY)
OPTIONAL : USB(3A FUSE ONLY)**

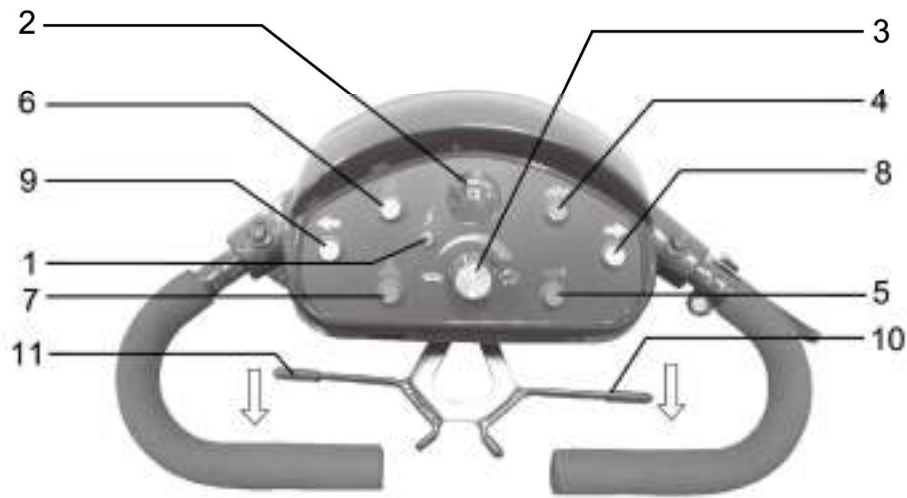
C102 Parallel Tiller (LCD)



1. Speed adjustment dial
2. Half speed button
3. Horn
4. Light button
5. Hazard light button
6. Turn signal button (R)

7. Turn signal button (L)
8. Throttle control lever (forward)
9. Throttle control lever (backwards)
10. Key switch
11. Tiller angle adjustment lever
12. Off board charger receptacle
13. **ONLY FOR GPS/MOBILE PHONE
(5A FUSE ONLY)
OPTIONAL : USB (3A FUSE ONLY)**

C101 Parallel Tiller



1. Status indicator
2. Battery condition meter
3. Speed adjustment dial
4. Half speed button
5. Horn
6. Light button
7. Hazard light button

8. Turn signal button (R)
9. Turn signal button (L)
10. Throttle control lever (forward)
11. Throttle control lever (backwards)
12. Key switch
13. Tiller angle adjustment lever
14. Off board charger receptacle
15. **ONLY FOR GPS/MOBILE PHONE (5A FUSE ONLY)**
OPTIONAL : USB(3A FUSE ONLY)

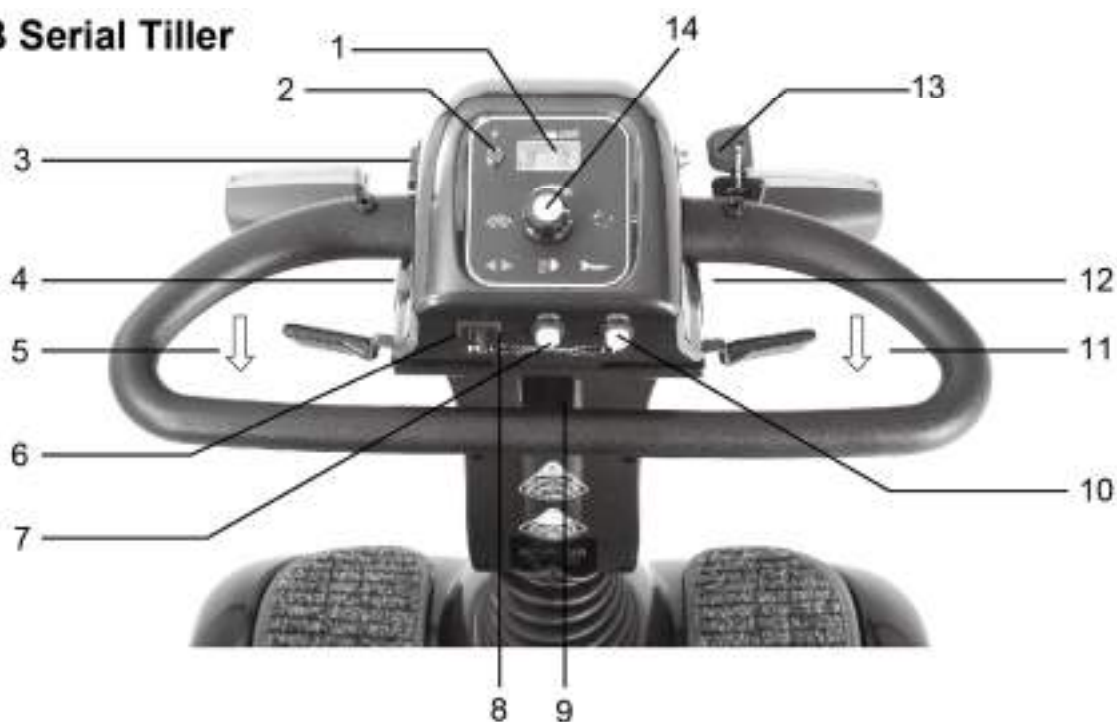
C101 Parallel Tiller(LCD)



1. Speed adjustment dial
2. Half speed button
3. Horn
4. Light button
5. Hazard light button
6. Turn signal button (R)

7. Turn signal button (L)
8. Throttle control lever (forward)
9. Throttle control lever (backwards)
10. Key switch
11. Tiller angle adjustment lever
12. Off board charger receptacle
13. **ONLY FOR GPS/MOBILE PHONE (5A FUSE ONLY)**
OPTIONAL : USB(3A FUSE ONLY)

B Serial Tiller

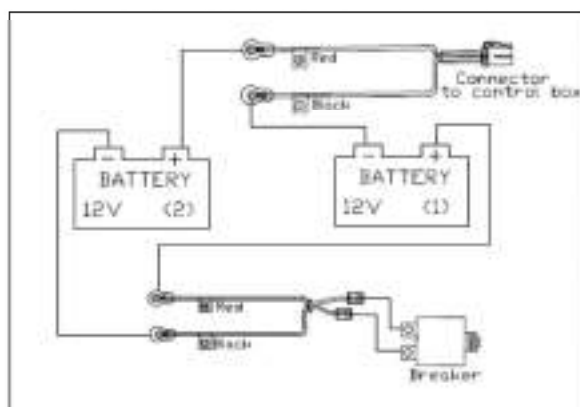


- | | |
|---------------------------------------|--------------------------------------|
| 1. Battery condition meter | 8. Turn signal button (R) |
| 2. Status indicator | 9. Tiller angle adjustment lever |
| 3. Off board charger receptacle | 10. Horn |
| 4. Hazard light button | 11. Throttle control lever (forward) |
| 5. Throttle control lever (backwards) | 12. Half speed button (Option) |
| 6. Light button | 13. Key switch |
| 7. Turn signal button (L) | 14. Speed adjustment dial |

■ Safety Precautions

- ◆ Do not carry passengers or exceed the maximum weight limit of 136kg (300 lbs).
- ◆ Do not exceed any incline over 10°. Ask for assistance when descending or ascending steep gradients.
- ◆ Do not attempt to mount a curb higher than 10 cm (4")
- ◆ Do not use on the road, except when crossing between pavements. When crossing the carriageway of a public road always take extra care and observe the highway code.
- ◆ Do not turn off the controls by switching the key off when moving at speed. This will bring the brakes on immediately and could cause damage to the controls.
- ◆ Do not ride through water, or deep soft terrain (soft dirt, loose gravel, deep grass).
- ◆ Do not mount or dismount the scooter unless the brakes are engaged and the controls are switched off.
- ◆ Do not operate the scooter if the unit is in freewheel mode.
- ◆ We recommend that you do not sit on your scooter when in a vehicle, but transfer to a vehicle seat and stow the scooter in the vehicle storage space.
- ◆ Do not turn suddenly at full speed. Always stop before making a sharp change of direction.
- ◆ Always engage a slow speed when going down gradients.
- ◆ Always keep your feet on the footplate when moving.
- ◆ Do not expose the scooter to direct rain or high humidity, as it may cause it to malfunction (electrically or mechanically).
- ◆ Always make sure that the batteries are sufficiently charged before setting out on a journey.
- ◆ Do not use parts, accessories or adapters other than those authorized by Merits.

■ Battery connection for S830/S840



Your scooter is equipped with maintenance free, sealed lead acid or gel batteries. These batteries require no maintenance other than ensuring they are properly charged. If other batteries are used, check with your battery supplier for proper battery care and maintenance instructions.

Your scooter is supplied with one battery cable (which plugs into the control box) & the second battery cable attached to the circuit breaker. Attach the red wire from the circuit breaker to the (+) terminal of the first battery. Attach the black wire from the circuit breaker to the (-) terminal of the second battery. Now using the battery cable attach the red wire to the (+) terminal of the second battery. Attach the black wire to the (-) terminal of the first battery. (Refer to diagram above)

Charging the batteries

Note: because your batteries may only have a partial charge when you first receive your scooter, you may not experience full riding time until you have fully charged them. Your scooter is equipped with a battery charger. Charging your batteries as specified below will ensure maximum life, power and range.

WARNING!

Use of a non-grounded receptacle could result in an electric shock

Using Off Board Charger

1. Turn off the power on the scooter.
2. Plug the charger cable into an outlet.
3. Plug the charger cable into the power socket on the tiller. (You will need to flip up the rubber safety covering on the power socket)
4. Leave the scooter to charge. As it charges, you will see progress lights on the charger unit. A RED light means the charger is ready to use, a WHITE light means charging is in progress, and a GREEN light means the charger is finished, and the scooter is fully charged.

■ Disassembly of the scooter for S840

This scooter can be separated into six parts, the front section, rear section, rear shroud, seat, basket and the battery. Follow the procedures below to disassemble your scooter and transport it with care.

1. Front Section
2. Rear Section
3. Rear Shroud
4. Seat
5. Basket
6. Battery



■ Disassembly and Assembly of the Scooter for S840



Move the tiller to the forward position then pull up on seat release and remove seat.



Remove cover.



Disconnect the rear light cable.



Disconnect the both batteries cable.



Tear apart the batteries velcro.



Remove both batteries.

■ Disassembly and Assembly of the Scooter for S840

7.



Disconnect the main cable.

8.



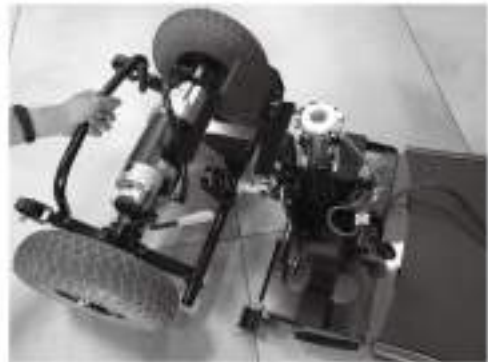
Remove the pin.

9.



Twist apart assembly lever back.

10.



Disconnect the front and rear frame.

■ Disassembly of the scooter for S840A

This scooter can be separated into eight parts, the front section, rear section, battery cover, rear shroud, motor cover, seat, basket and the battery. Follow the procedures below to disassemble your scooter and transport it with care.

1. Front Section
2. Rear Section
3. Battery Cover
4. Rear Shroud
5. Motor Cover
6. Seat
7. Basket
8. Battery



■ Disassembly and Assembly of the Scooter for S840A



Move the tiller to the forward position then pull up on seat release and remove seat.



Remove battery cover.



Remove rear cover.



Disconnect the rear light cable.



Remove motor cover.



Disconnect the both batteries cable.

■ Disassembly and Assembly of the Scooter for S840A



Tear apart the batteries velcro.



Remove both batteries.



Disconnect the main cable.



Disconnect the regulating cable.
If your scooter without hand brake,
please ignore this step.



Remove the pin.



Twist apart assembly lever back.

■ Disassembly and Assembly of the Scooter for S840A

13.



Disconnect the front and rear frame.

■ Controls (C102 Parallel tiller, Digital dashboard)

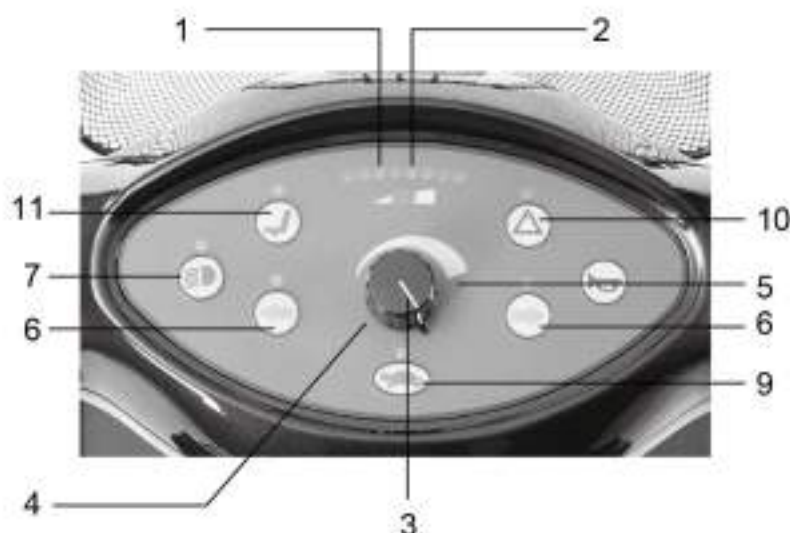
Only drive within your control limitations. Loss of control of your scooter could result in serious injury to yourself or others. If your speed becomes difficult to control, release the speed engager lever and your scooter will come to a complete stop. **Only use the on/off switch to stop your scooter in an emergency.**

1.Status Indicator:When the scooter is on, and all conditions are normal, the status indicator will glow Green.

If there is a special condition that requires attention, the light will flash a code, which will be repeated after a 2 second pause. Please refer to the "Flash Code" chart below for the codes before contacting your technical service provider.

Flash code :

- 1:Battery needs recharging
- 2:Battery voltage too low
- 3:Battery voltage too high
- 4:Current time limit out
- 5:Magnetic brake fault
- 6:Not in neutral at power up
- 7:Speed pot error
- 8:Motor volts error
- 9:Other internal error
- 10:Hazard Button
- 11:Seat Lifter Activation (if installed)



2.Battery Level Indicator:When power to the vehicle is turned "ON", the needle on this display will move to the right to indicate the available battery reserve. When the batteries are fully charged, the needle should be well into the green area of the display when the scooter is stationary. If the scooter is being driven at high power consumption levels (i.e. high speeds, up inclines and/or with heavy loads) the needle will move progressively to the left and possibly into the red area. This situation is normal but this type of driving is not recommended for prolonged periods. The needle positioned in the red area of the scale when the scooter is stationary indicates very low battery reserves and the scooter should be recharged as soon as possible.

3.Speed Control:This knob sets the maximum speed of the vehicle. When knob is rotated fully counter clockwise (4), input commands of the throttle levers cause slower vehicle response and speed. As the knob is incrementally turned in a clockwise direction (5), the scooter will move faster for a given command. When learning to drive the vehicle or operating in confined areas, we strongly recommend that the control is set fully counter clockwise.

4.Slow Speed: Indicates slow setting of speed knob (4).

5.Fast Speed: Indicates fast setting of speed knob (5).

6.Indicator Switch:Left and right indicators can be operated by gently moving the toggle switch to the left (←) or right (→), as desired, if you wish to indicate that turning maneuver to others around you. To cancel the indicators simply return the toggle switch to the central position. You may draw the attention of others to your maneuver by tooting the horn once or twice.

7.Headlight Switch:The headlight is activated by gently pressing the headlight button in. The headlight can be turned off by gently pressing the switch again.

8.Horn:The horn is activated by pressing the horn button. Releasing the button deactivates the horn. The horn is useful to warn people or animals that you are approaching. You may also find it helpful to use when rounding blind corners.

9.Half Speed Switch:The switch next to the ignition switch can be used to manually limit the scooter to a more manageable speed when traveling in confined areas. Gently press the switch to activate this function. A light will glow inside the switch to remind you it is on. Gently press the switch again to release the switch and deactivate this function.

10.Hazard Button:The hazard lights are activated by pressing the hazard light button. Pressing the button a second time will turn the light off.

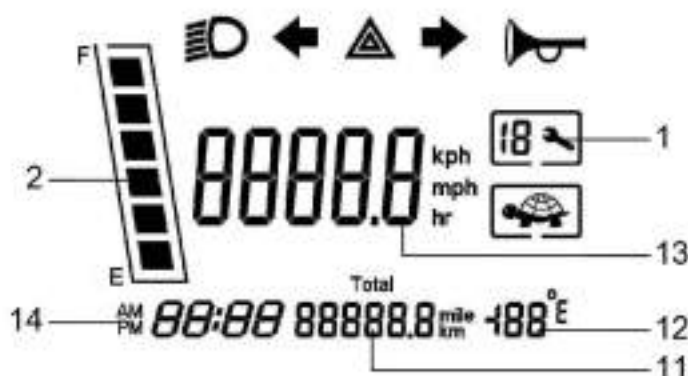
11.Seat Lifter Activation (if installed)

■ Controls (C102 Parallel tiller, LCD dashboard)

Only drive within your control limitations. Loss of control of your scooter could result in serious injury to yourself or others. If your speed becomes difficult to control, release the speed engager lever and your scooter will come to a complete stop. **Only use the on/off switch to stop your scooter in an emergency.**

1.Diagnostic fault code: It shows the state of your scooter,when you see the wrench icon flashing with the code number on LCD display.

- 1:Battery needs recharging
- 2:Battery voltage too low
- 3:Battery voltage too high
- 4:Current time limit out
- 5:Magnetic brake fault
- 6:Not in neutral at power up
- 7:Speed pot error
- 8:Motor volts error
- 9:Other internal error



2.Battery Level Indicator:When power to the vehicle is turned "ON", the needle on this display will move to the right to indicate the available battery reserve. When the batteries are fully charged, the needle should be well into the green area of the display when the scooter is stationary. If the scooter is being driven at high power consumption levels (i.e. high speeds, up hills and/or with heavy loads) the needle will move progressively to the left and possibly into the red area. This situation is normal but this type of driving is not recommended for prolonged periods. The needle positioned in the red area of the scale when the scooter is stationary indicates very low battery reserves and the scooter should be recharged as soon as possible.

3.Speed Control:This knob set the maximum speed of the vehicle. When knob is rotated fully counter clockwise (4), input commands of the throttle levers (9)cause slower vehicle response and speed. As the knob is incrementally turned in a clockwise direction (5), the scooter will move faster for a given command. When learning to drive the vehicle or operating in confined areas, we strongly recommend that the control is set fully counter clockwise.

4.Slow Speed:Picture of Tortoise indicates slow setting of speed knob (5).

5.High Speed:Picture of Hare indicates fast setting of speed knob (5).

6.Indicator Toggle Switch: Left and right indicators can be operated by gently moving the toggle switch to the left (←) or right (→), as desired, if you wish to indicate that turning maneuver to others around you. To cancel the indicators simply return the toggle switch to the central position. You may draw the attention of others to your maneuver by tooting the horn once or twice.

7.Headlight Toggle Switch:The headlight is activated by gently pressing the headlight button in. The headlight can be turned off by gently pressing the switch again.

8.Horn:The horn is activated by pressing the horn button. Releasing the button deactivates the horn. The hornis useful to warn people or animals that you are approaching. You may also find it helpful to use when rounding blind corners.

9.Half Speed Switch:The Orange switch next to the ignition switch can be used to manually limit the scooter to a more manageable speed when traveling in confined areas. Gently press the switch to activate this function. A light will glow inside the switch to remind you it is on. Gently press the switch again to release the switch and deactivate this function. When driving at speed (as a safety feature), this function will activate automatically if the steering is turned.

10.Hazard Button:The hazard lights are activated by pressing the hazard light button. Pressing the button a second time will turn the light off.

11.Odometer

12.Temperature

13.Speedometer

14.Time

NB:(Polarity of the throttle can be reversed by your dealer if you require left hand finger operation to travel forward.)

■ Controls (C101 Parallel tiller, analong dashboard)

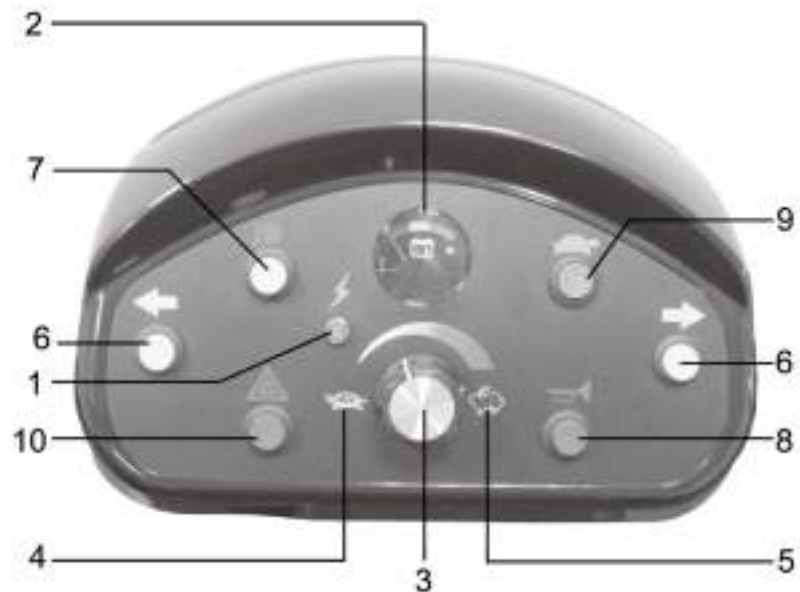
Only drive within your control limitations. Loss of control of your scooter could result in serious injury to yourself or others. If your speed becomes difficult to control, release the speed engager lever and your scooter will come to a complete stop. **Only use the on/off switch to stop your scooter in an emergency.**

1.Status Indicator:When the scooter is on, and all conditions are normal, the status indicator will glow Green.

If there is a special condition that requires attention, the light will flash a code, which will be repeated after a 2 second pause. Please refer to the "Flash Code" chart below for the codes before contacting your technical service provider.

Flash code :

- 1:Battery needs recharging
- 2:Battery voltage too low
- 3:Battery voltage too high
- 4:Current time limit out
- 5:Magnetic brake fault
- 6:Not in neutral at power up
- 7:Speed pot error
- 8:Motor volts error
- 9:Other internal error



2.Battery Level Indicator:When power to the vehicle is turned "ON", the needle on this display will move to the right to indicate the available battery reserve. When the batteries are fully charged, the needle should be well into the green area of the display when the scooter is stationary. If the scooter is being driven at high power consumption levels (i.e. high speeds, up inclines and/or with heavy loads) the needle will move progressively to the left and possibly into the red area. This situation is normal but this type of driving is not recommended for prolonged periods. The needle positioned in the red area of the scale when the scooter is stationary indicates very low battery reserves and the scooter should be recharged as soon as possible.

3.Speed Control:This knob sets the maximum speed of the vehicle. When knob is rotated fully counter clockwise (4), input commands of the throttle levers cause slower vehicle response and speed. As the knob is incrementally turned in a clockwise direction (5), the scooter will move faster for a given command. When learning to drive the vehicle or operating in confined areas, we strongly recommend that the control is set fully counter clockwise.

4.Slow Speed:Picture of Tortoise indicates slow setting of speed knob (4).

5.Fast Speed:Picture of Hare indicates fast setting of speed knob (5).

6.Indicator Switch:Left and right indicators can be operated by gently moving the toggle switch to the left (←) or right (→), as desired, if you wish to indicate that turning maneuver to others around you. To cancel the indicators simply return the toggle switch to the central position. You may draw the attention of others to your maneuver by tooting the horn once or twice.

7.Headlight Switch:The headlight is activated by gently pressing the headlight button in. The headlight can be turned off by gently pressing the switch again.

8.Horn:The horn is activated by pressing the horn button. Releasing the button deactivates the horn. The horn is useful to warn people or animals that you are approaching. You may also find it helpful to use when rounding blind corners.

9.Half Speed Switch:The switch next to the ignition switch can be used to manually limit the scooter to a more manageable speed when traveling in confined areas. Gently press the switch to activate this function. A light will glow inside the switch to remind you it is on. Gently press the switch again to release the switch and deactivate this function.

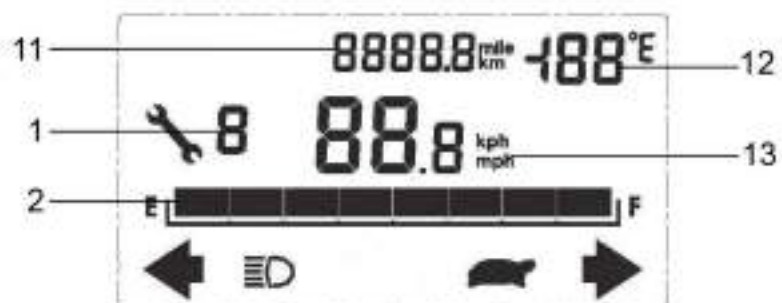
10.Hazard Button:The hazard lights are activated by pressing the hazard light button. Pressing the button a second time will turn the light off.

■ Controls (C101 Parallel tiller, LCD dashboard)

Only drive within your control limitations. Loss of control of your scooter could result in serious injury to yourself or others. If your speed becomes difficult to control, release the speed engager lever and your scooter will come to a complete stop. **Only use the on/off switch to stop your scooter in an emergency.**

1.Diagnostic fault code: It shows the state of your scooter,when you see the wrench icon flashing with the code number on LCD display.

- 1:Battery needs recharging
- 2:Battery voltage too low
- 3:Battery voltage too high
- 4:Current time limit out
- 5:Magnetic brake fault
- 6:Not in neutral at power up
- 7:Speed pot error
- 8:Motor volts error
- 9:Other internal error



2.Battery Level Indicator:When power to the vehicle is turned "ON", the needle on this display will move to the right to indicate the available battery reserve. When the batteries are fully charged, the needle should be well into the green area of the display when the scooter is stationary. If the scooter is being driven at high power consumption levels (i.e. high speeds, up hills and/or with heavy loads) the needle will move progressively to the left and possibly into the red area. This situation is normal but this type of driving is not recommended for prolonged periods. The needle positioned in the red area of the scale when the scooter is stationary indicates very low battery reserves and the scooter should be recharged as soon as possible.

3.Speed Control:This knob set the maximum speed of the vehicle. When knob is rotated fully counter clockwise (4), input commands of the throttle levers (9)cause slower vehicle response and speed. As the knob is incrementally turned in a clockwise direction (5), the scooter will move faster for a given command. When learning to drive the vehicle or operating in confined areas, we strongly recommend that the control is set fully counter clockwise.

4.Slow Speed:Picture of Tortoise indicates slow setting of speed knob (5).

5.High Speed:Picture of Hare indicates fast setting of speed knob (5).

6.Indicator Toggle Switch: Left and right indicators can be operated by gently moving the toggle switch to the left (←) or right (→), as desired, if you wish to indicate that turning maneuver to others around you. To cancel the indicators simply return the toggle switch to the central position. You may draw the attention of others to your maneuver by tooting the horn once or twice.

7.Headlight Toggle Switch:The headlight is activated by gently pressing the headlight button in. The headlight can be turned off by gently pressing the switch again.

8.Horn:The horn is activated by pressing the horn button. Releasing the button deactivates the horn. The hornis useful to warn people or animals that you are approaching. You may also find it helpful to use when rounding blind corners.

9.Half Speed Switch:The Orange switch next to the ignition switch can be used to manually limit the scooter to a more manageable speed when traveling in confined areas. Gently press the switch to activate this function. A light will glow inside the switch to remind you it is on. Gently press the switch again to release the switch and deactivate this function. When driving at speed (as a safety feature), this function will activate automatically if the steering is turned.

10.Hazard Button:The hazard lights are activated by pressing the hazard light button. Pressing the button a second time will turn the light off.

11.Odometer

12.Temperature

13.Speedometer

NB:(Polarity of the throttle can be reversed by your dealer if you require left hand finger operation to travel forward.)

■ Controls (B Serial tiller, analong dashboard)

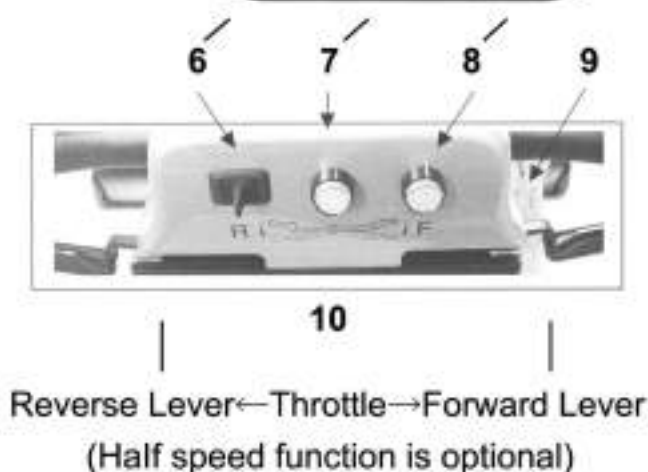
Only drive within your control limitations. Loss of control of your scooter could result in serious injury to yourself or others. If your speed becomes difficult to control, release the speed engager lever and your scooter will come to a complete stop. **Only use the on/off switch to stop your scooter in an emergency.**

1. Status Indicator: When the scooter is on, and all conditions are normal, the Status Indicator will glow Green.

If there is a special condition that requires attention, the light will flash a code, which will be repeated after a 2 second pause. Please refer to the "Flash Code" chart below for the codes before contacting your.



- 1: Battery needs recharging
- 2: Battery voltage too low
- 3: Battery voltage too high
- 4: Current time limit out
- 5: Magnetic brake fault
- 6: Not in neutral at power up
- 7: Speed pot error
- 8: Motor volts error
- 9: Other internal error



2. Battery Level Indicator: When power to the vehicle is turned "ON", the needle on this display will move to the right to indicate the available battery reserve. When the batteries are fully charged, the needle should be well into the green area of the display when the scooter is stationary. If the scooter is being driven at high power consumption levels (i.e. high speeds, up hills and/or with heavy loads) the needle will move progressively to the left and possibly into the red area. This situation is normal but this type of driving is not recommended for prolonged periods. The needle positioned in the red area of the scale when the scooter is stationary indicates very low battery reserves and the scooter should be recharged as soon as possible.

3.Speed Control:This knob set the maximum speed of the vehicle. When knob is rotated fully counter clockwise (4), input commands of the throttle levers (9)cause slower vehicle response and speed. As the knob is incrementally turned in a clockwise direction (5), the scooter will move faster for a given command. When learning to drive the vehicle or operating in confined areas, we strongly recommend that the control is set fully counter clockwise.

4.Slow Speed:Picture of Tortoise indicates slow setting of speed knob (5).

5.Fast Speed:Picture of Hare indicates fast setting of speed knob (5).

6.Indicator Switch:Left and right indicators can be operated by gently moving the toggle switch to the left (◀) or right (▶), as desired, if you wish to indicate that turning maneuver to others around you. To cancel the indicators simply return the toggle switch to the central position. You may draw the attention of others to your maneuver by tooting the horn once or twice.

7.Headlight Switch:The headlight is activated by gently pressing the headlight button in. The headlight can be turned off by gently pressing the switch again.

8.Horn:The horn is activated by pressing the horn button. Releasing the button deactivates the horn. The horn is useful to warn people or animals that you are approaching. You may also find it helpful to use when rounding blind corners.

9.Half Speed Switch:The Orange switch next to the ignition switch can be used to manually limit the scooter to a more manageable speed when traveling in confined areas. Gently press the switch to activate this function. A light will glow inside the switch to remind you it is on. Gently press the switch again to release the switch and deactivate this function. When driving at speed (as a safety feature), this function will activate automatically if the steering is turned.

10.Throttle Levers:With loop handlebar models, the throttle levers can be activated by finger or thumb, depending on personal preference. The throttle is progressive and can be used to regulate the speed up to the setting of the speed control knob (3).

To travel forward:gently pull the right lever back toward you with your right finger(s), or push the left lever away from you with your left thumb, until the desired speed is achieved.

To travel backwards:gently pull the left lever back toward you with your left finger(s), or push the right lever away from you with your right thumb, until the desired speed is achieved.

NB:*(Polarity of the throttle can be reversed by your dealer if you require left hand finger operation to travel forward).*

■ Controls (B Serial tiller, digital dashboard)

Only drive within your control limitations. Loss of control of your scooter could result in serious injury to yourself or others. If your speed becomes difficult to control, release the speed lever and your scooter will come to a complete stop. Only use the on/off switch to stop your scooter in an emergency.



Speed Control: The speed on this scooter is controlled by the buttons on the control panel - one with a TURTLE makes the scooter slower, one with a RABBIT makes the scooter go faster. The speed has a range of 1 (slowest) to 6 (fastest) - each time you press the RABBIT or the TURTLE, it will either increase or decrease the speed 1 level. The current speed setting is shown on the LED indicator.



Battery Level Indicator: Indicates the charge level of the batteries. If only the red LEDs are on, the batteries need to be charged as soon as possible. If the LEDs are green, the batteries are fully charged. As the battery charge is depleted, the LEDs will go from green to yellow, and finally to red.



Horn: The horn is activated by pressing the horn button. Releasing the horn button deactivates the horn. The horn is useful to warn people or animals that you are coming towards them. You may also find it helpful to use when rounding blind corners.



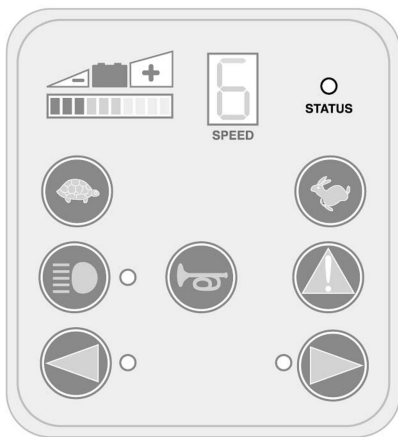
Turn Signals: Pressing these buttons will activate the turn signal lights. The lights will automatically go off after 15 cycles.



Headlight: The headlight is activated by pressing the headlight button. Pressing the button a second time will turn the light off.

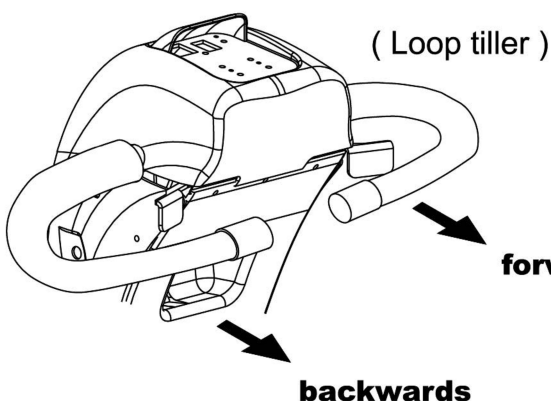


Hazard Light: The hazard lights are activated by pressing the hazard light button. Pressing the button a second time will turn the light off.



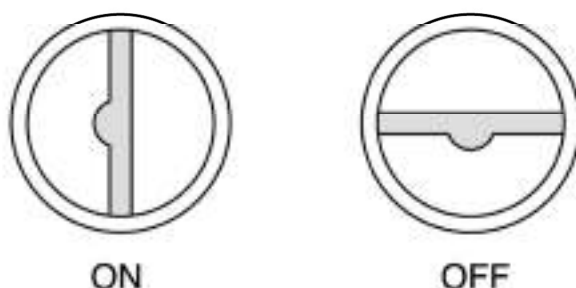
Status Indicator: When the scooter is on, and all conditions are normal, the Status Indicator will be on. When there is some special condition that needs attention, the light will flash. See the reference chart below for the meanings of the different flashing patterns.

Number of Flashes	Meaning
1	Battery needs recharging
2	Battery voltage too low
3	Battery voltage too high
4	Current time limit out
5	Brake fault
6	Not in neutral at power up
7	Speed pot error
8	Motor volts error
9	Other internal error



Forward/Reverse: Pull the right lever to move forward, pull the left lever to move backwards.

Key switch



When the key is turned to a vertical position, the scooter is ON and ready to drive. When the key is turned to a horizontal position, the scooter is OFF.

Brakes and throttle control lever:

Whenever the speed lever is pushed, the electromagnetic brake will automatically release and your scooter will move. When the speed lever is released, it will return to the neutral position and the scooter will decelerate and come to a complete stop. The parking brake will then engage preventing further movement of your scooter.

Your unit is equipped with a programmable controller that has a high peddle disable feature. This will prevent unexpected acceleration of the scooter, if the speed lever is being pushed at the same time you turn the key 'ON'. To reset the controller, release the speed engage lever and turn the key 'OFF' for a couple of seconds and then turn it back 'ON'.

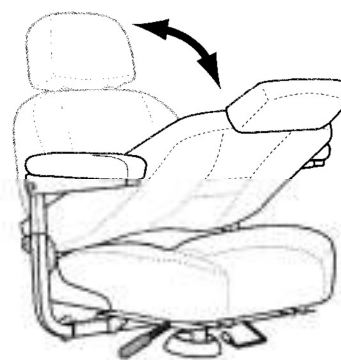


If your scooter ever moves in an unexpected manner, release the speed lever and turn off the power.

■ Seat adjustment

Backrest angle:

- Fold the backrest down for easy transport.



Seat turnability

The seat swivel lever (located on the side of the seat) allows the seat rotation in 45 degree increments.

You may use this feature to make it easier to transfer in and out of the seat.

- Pull the swivel lever up to unlock and rotate the seat.
- Pivot the seat to the position you desire.
- Release the lever and try to turn the seat back and forth slightly allowing the lever to lock into position.



Armrest height:

- Loosen the clamping nut at the rear of the handle.
- Turn the bolt in to lower the angle of the armrest to your desired angle.



Armrest width:

- Locate the width clamping nut (follow the armrest support down to the base of the seat).
- Loosen the clamping nut by turning counterclockwise.
- Pull the armrest in or out to reach your desired position.
- Tighten the width clamping nut.



■ Tiller Angle Adjustment:

The tiller angle adjustment allows you to position the dash closer or further away from you for better access to the controls.

- Locate the angle adjusting lever, located on the inside center of the tiller boot.
- Hold the weight of the tiller with one hand and loosen the lever by pulling up the lever with the other hand. Pushing down will release the tiller locking mechanism, allowing you to move the tiller freely.
- Release the lever and try to move the tiller back and forth slightly allowing the lever to lock.

You squeeze the lever to the left of the dashboard is (Fig A). You can now pull the tiller towards you or push away from you (Fig B).



Fig A



Fig B

■ Freewheel Mode

Manual free wheel mode: your scooter features a features freewheel mode for manual operation. To activate manually, turn the key switch OFF and locate the freewheel lever at the back of the scooter. Pull lever to "UP" position to disengage the brake and allow the scooter to be pushed freely. Push the lever to the "DOWN" position to reengage the brrake. Remember, when the scooter is in manul freewheel mode, you will have no brakes. You will be unable to operate the scooter. When you wish to push your scooter a short distance, you may put it into manual freewheel mode.

Getting in and out:

Your scooter is designed to make getting in and out of the scooter as easy as possible. Make sure the scooter is on a level surface and the key switch is tuned OFF. If necessary, raise the armrest to give you maximum space to transfer in or out of the seat. Once transfer is complete, return the armrest before operating the scooter.



Never operate the scooter without your feet being placed on the scooter platform. Driving your scooter without your feet on the platform could cause serious bodily injury.

■ Technical Specifications

Model No.	S830 (3-Wheels)	S840/S840A (4-Wheels)
Max. speed up to	10 kph / 6.25 mph or 11 kph / 6.8 mph	
range up to	28 km / 18 mi	
Turning Radius	120 cm / 47 in	150 cm / 59 in
ground clearance	10 cm / 4 in	
motor	295 W or 400 W	
controller	Rhino II 90 A or Rhino II 120 A	
battery	12 V / U1 X 2 pcs or 50A X 2 pcs	
charger	Max. 5A Off-board (Note)	
gradient	10°	
front wheel	10" or 11"	
rear wheel	10" or 11"	
brake	Intelligent, regenerative and electromagnetic brakes	
Overall Length	120 cm / 47 in	122 cm / 48 in
Overall Width	61 cm / 24 in	
Total Weight		
Without Batteries	64 kg / 141 lb	70 kg / 154 lb
Weight Capacity	136 kg / 300 lb	
Battery Weight	12 kg/26 lb (each) or 14.3kg/31.5lb(each)	
	8 kph is option.	

This specification is for universal use and real spec may vary by regions and countries.

Note : Depends on the specifications of the accompanied charger.

■ Driving up and down gradients

The scooter can safely climb the following inclines:

10 km/h versions:

- 4-wheeler (up to 136 kg load): 10° (18%)

11 km/h versions:

- 4-wheeler (up to 112 kg load): 12° (21%)
- 4-wheeler (up to 136 kg load): 10° (18%)



WARNING: Danger of tipping over!

- *Only ever drive downhill at a maximum of 2/3rds of the top speed!*
- *Always return the backrest of your seat to an upright position before ascending slopes! We recommend that you lean the backrest slightly to the rear before descending slopes!*
- *Never attempt to ascend or descend a slope on slippery surfaces or where there is a danger of skidding (such as wet pavement, ice etc)!*
- *Avoid trying to get out of the vehicle on an incline or a gradient!*
- *Always drive in a straight direction along the road or path you are travelling on, rather than attempting to zigzag!*
- *Never attempt to turn around on an incline or a slope!*

■ Limited Warranty

Corporation warrants to the original purchaser of this wheelchair product that it is free of defects in material and workmanship and that, when operated within the guidelines and restrictions of this manual, will remain free of defects in material and workmanship for a period of One (1) year from the original date of purchase.






Excluded from this warranty is failure due to negligence, abuse, accident, operation outside of rated limits, commercial or institutional use, damage / wear to upholstery or tires and improper maintenance or storage. The batteries for this wheelchair product are not supplied by Corporation; contact the battery manufacturer / supplier if warranty replacement is requested.

This wheelchair product must not be modified in any way without the express written consent of Corporation. Any such unauthorized modification could cause unreliable and / or unsafe operation and will void this warranty.

Where a failure occurs within the 1- year warranty period that is not excluded above, the failed components will be replaced with similar new or reconditioned components at sole option. Corporation will not be responsible for labor and / or shipping charges.

The foregoing warranty is exclusive and in lieu of all other warranties expressed or implied including, but not limited to, the implied warranty of merchantability and fitness for a particular purpose. Corporation is not liable for any consequential or incidental damages whatsoever.

ICE SYMBOLS

	Caution, attention or consult accompanying documents.
	Alternating Current
	Type BF Equipment
	Double Insulation
	No Smoking or Naked Flames

Degree of protection against ingress of water is rated as IPx0.

We wish you a safe and comfortable riding experience!



