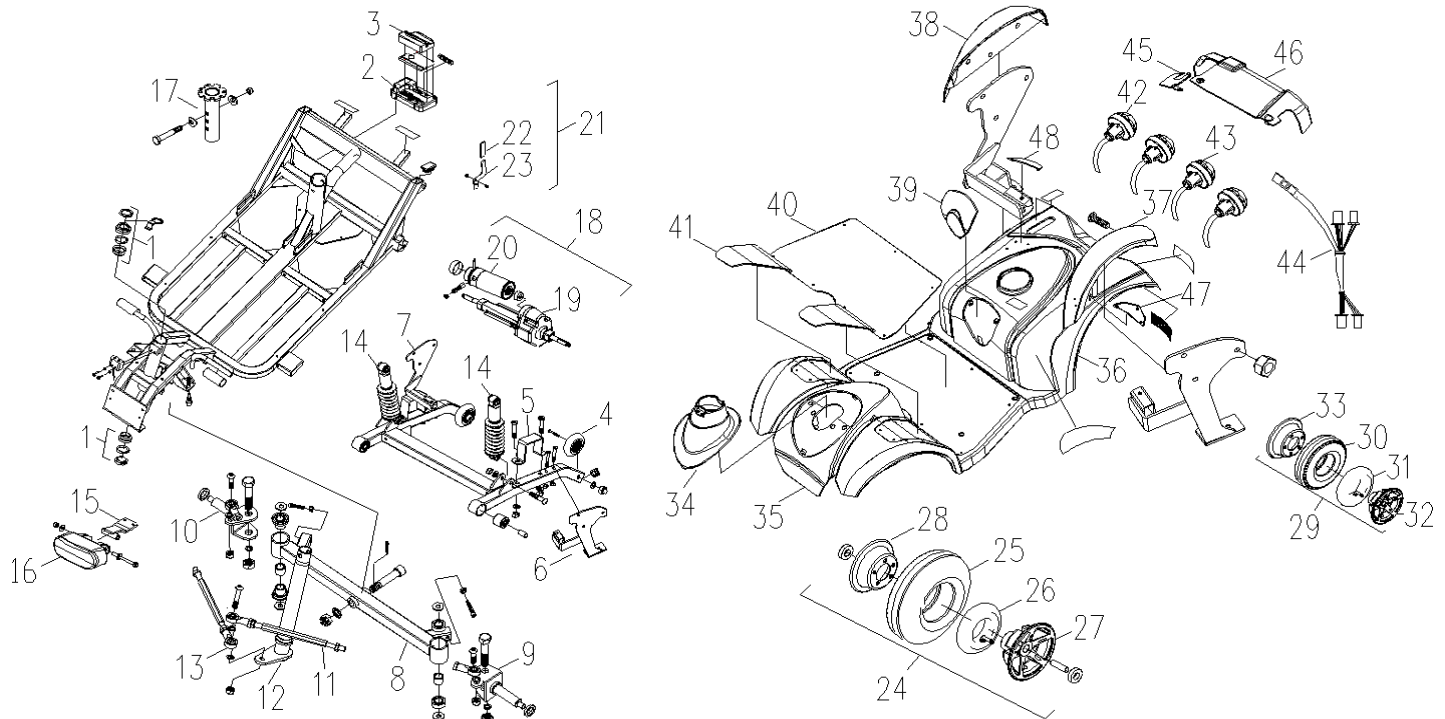


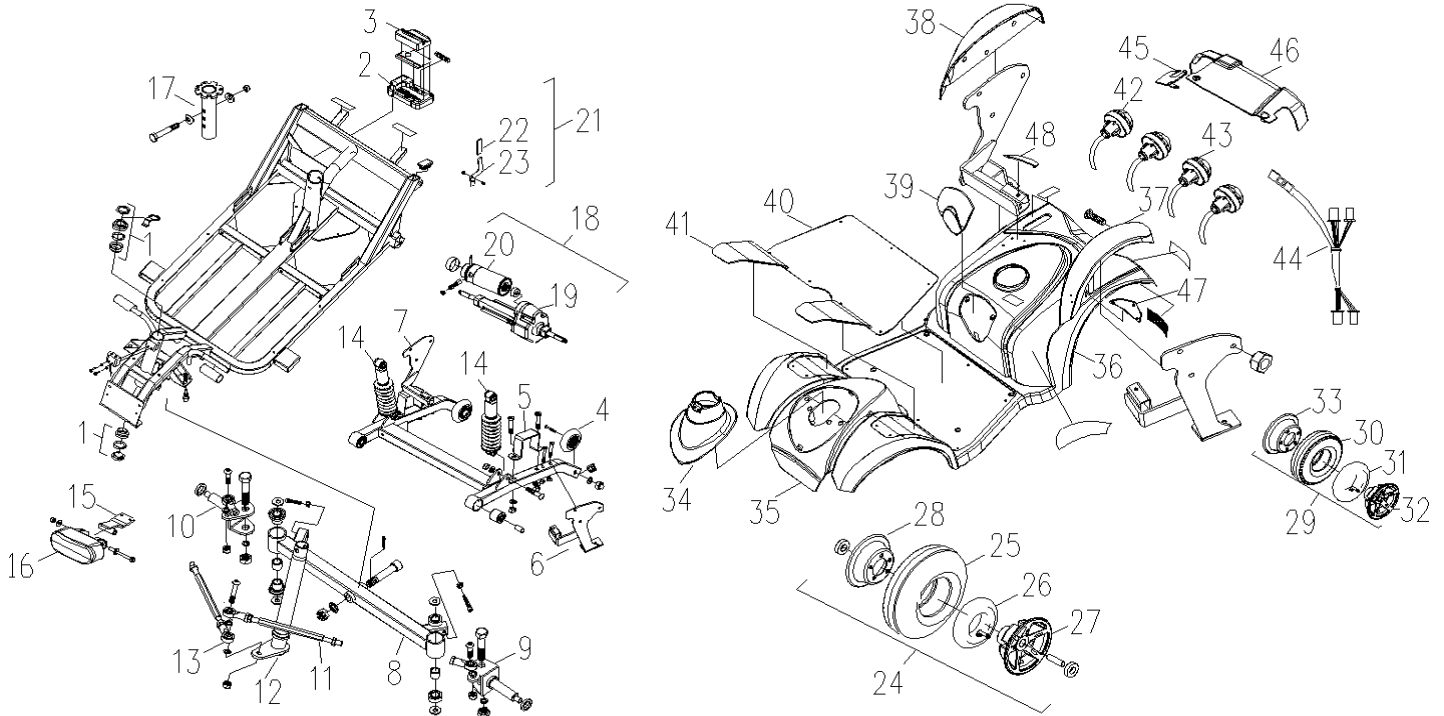
MODEL#S745A-SW

Rev: 0

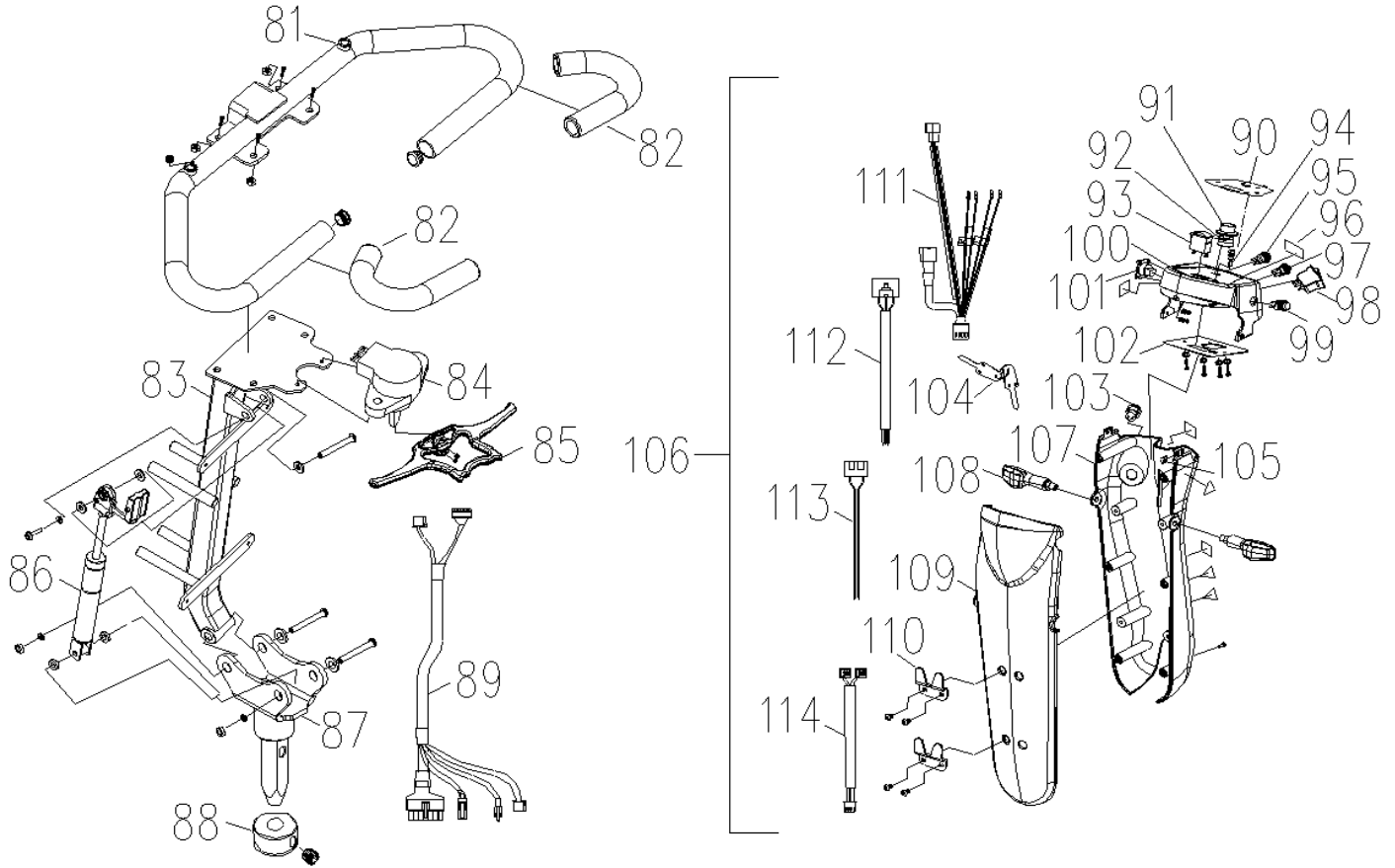
SW : S745A1YLSWB, S745A1OTSWB, S745A1SVSWB, S745A1SPSWB



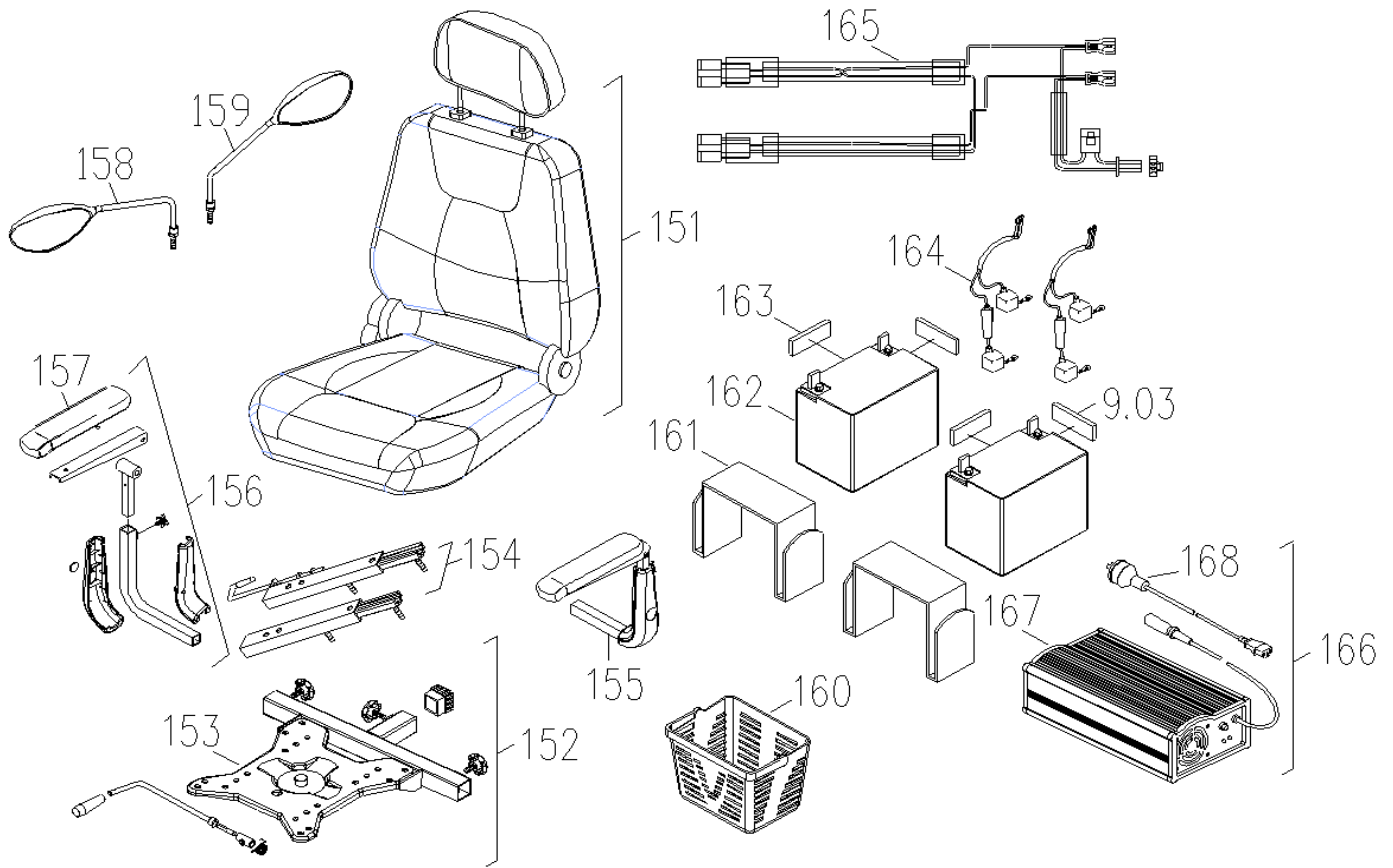
REF#	PART NO.	DESCRIPTION	REF#	PART NO.	DESCRIPTION	REF#	PART NO.	DESCRIPTION
1	53400M24	BEARING SET OF THE BEARING HOUSE	17	32101023	UPPER SEAT POST ASSY P321	33	41200536	STEEL CENTER, BLACK, 5 HOLES
2	64520009	CONTROLLER,PG SDRIVE 90	18	62009115	TRANSAXLE ASSY	34	30529M08	FRONT DECORATE COVER, YELLOW
3	61230139	PROTECTIVE COVER	19	62201281	TRANSMISSION GEAR BOX	34	30519M22	FRONT DECORATE COVER, SILVER
4	43620030	ANTI-TIPPER WHEEL, W/BEARING 608Z, 5/60*18W	20	62109095	MOTOR, M4DA-28	34	30516M02	FRONT DECORATE COVER, OCEAN BLUE
5	41200494	BRACKET FOR METEOR M4 TRANSAXLE	21	30400M09	RELEASE LEVER ASSY	34	30529M25	FRONT DECORATE COVER, PEARL GOLD
6	30403M03	SUPPORT PLATE ASSY, LH	22	43701298	RELEASE HANDLE SLEEVE	35	26051M01	FRONT COVER
7	30403M04	SUPPORT PLATE ASSY, RH	23	4120DM40	EXTEND HANDLE	36	26051M15	REAR COVER
8	30303M21	FRONT BEARING ARM ASSY	24	33100786	FRONT WHEEL ASSY	37	30529M19	DECORATE COVER OF REAR WHEEL LH, YELLOW
9	30303186	AXLE ASSY OF FRONT WHEEL L	25	44689066	TIRE ONLY,4.10-5(C-154) BLACK	37	30519M25	DECORATE COVER OF REAR WHEEL LH, SILVER
10	30303187	AXLE ASSY OF FRONT WHEEL R	26	44689133	INNER TYRE,4.10-5	37	30516M05	DECORATE COVER OF REAR WHEEL LH, OCEAN BLUE
11	41300415	CONNECTING ROD, LONG	27	42500148	FRONT WHEEL RIM(5"), W/O LOGO,5 HOLES	37	30529M28	DECORATE COVER OF REAR WHEEL LH, PEARL GOLD
12	30303M28	TUBE ASSY OF STEERING AXLE	28	41200536	STEEL CENTER, BLACK, 5 HOLES	38	30529M20	DECORATE COVER OF REAR WHEEL RH, YELLOW
13	41300606	SPHERICAL JOINT	29	32600530	REAR DRIVE WHEELS ASSY.	38	30519M26	DECORATE COVER OF REAR WHEEL RH, SILVER
14	41780069	SHOCK ABSORBER	30	44689066	TIRE ONLY,4.10-5(C-154) BLACK	38	30516M06	DECORATE COVER OF REAR WHEEL RH, OCEAN BLUE
15	4120DM26	BRACKET ASSY OF HEADLIGHT	31	44689133	INNER TYRE,4.10-5	38	30529M29	DECORATE COVER OF REAR WHEEL RH, PEARL GOLD
16	61200157	LIGHTS ASSY	32	42500149	5" ALU. RIM, REAR WHEEL, BLACK 5 HOLE	39	30529M18	REAR DECORATE COVER, YELLOW



REF#	PART NO.	DESCRIPTION	REF#	PART NO.	DESCRIPTION	REF#	PART NO.	DESCRIPTION
39	30519M24	REAR DECORATE COVER, SILVER	48	30516M08	DECORATE OF REAR COVER RH, OCEAN BLUE			
39	30516M04	REAR DECORATE COVER, OCEAN BLUE	48	30529M31	DECORATE OF REAR COVER RH, PEARL GOLD			
39	30529M27	REAR DECORATE COVER, PEARL GOLD						
40	4460AM67	FOOTMAT						
41	4460AM68	FRONT MAT						
42	61200214	LED DIRECTION LIGHT						
43	61200227	LED REAR LIGHT						
44	634M0003	LINKING WIRE OF REAR LIGHT						
45	4360QM49	PROTECT COVER						
46	43601737	PROTECT COVER OF MOTOR						
47	30529M22	DECORATE OF REAR COVER LH, YELLOW						
47	30519M27	DECORATE OF REAR COVER LH, SILVER						
47	30516M07	DECORATE OF REAR COVER LH, OCEAN BLUE						
47	30529M30	DECORATE OF REAR COVER LH, PEARL GOLD						
48	30529M23	DECORATE OF REAR COVER RH, YELLOW						
48	30519M28	DECORATE OF REAR COVER RH, SILVER						



REF#	PART NO.	DESCRIPTION	REF#	PART NO.	DESCRIPTION	REF#	PART NO.	DESCRIPTION
81	33503152	TILLER HANDLE ASSY	95	33700215	HORN SET	109	30529M12	FRONT DASHBOARD ONLY, YELLOW
82	45700102	FOAMING TUBE	96	75142M36	LABEL	109	30519M30	FRONT DASHBOARD ONLY, SILVER
83	33503M11	TILLER ASSY	97	33700216	HEAD LIGHT SET	109	30516M10	FRONT DASHBOARD ONLY, OCEAN BLUE
84	61010047	VARIABLE RESIDTENCE	98	33700228	SWITCH, TURN SIGNAL	109	30529M33	FRONT DASHBOARD ONLY, PEARL GOLD
85	43601255	STIR BAR ASSY	99	33700211	HAZARD LIGHT SET	110	41200199	BASKET BRACKET 2.5t
86	41300366	ELEVATING CYLINDER	100	26051M07	UPPER COVER OF DASHBOARD	111	634M0002	LINKING WIRE OF LIGHTS
87	33503M12	FIXING ASSY OF TILLER	101	33700279	CHARGER, PLUG	112	63500009	CONNECTING WIRE, POT
88	41300109	CLAMP RING, SCOOTER	102	61108213	PCB Modular, Dashed Board(PF-111)	113	63500018	CONNECTING WIRE, SPEED POT
89	631M0007	LINKING WIRE OF TILLER	103	63700036	KEY SWITCH W/CONNECTING WIRE, S830	114	63542001	POWER CORD, 80L S345
90	75142M35	UPPER DASH BOARD STICKERS	104	33700217	KEY SET			
91	61188009	KNOB, MONY 41017-1	105	54600001	NUT SHEET			
92	61020006	POTENTIMETER., VR30K, COSMOS RV24	106	33500M33	REAR DASHBOARD ASSY			
93	61220006	METER, SD-563 DC18V-21.5V-26V	107	26051M10	REAR DASHBOARD ONLY			
94	61200072	POWER INDICATOR	108	61200158	LED DIRECTION LIGHT			



REF#	PART NO.	DESCRIPTION	REF#	PART NO.	DESCRIPTION	REF#	PART NO.	DESCRIPTION
151	32228015	CAPTAIN SEAT ONLY, WITH/ RECLINE & MC7/MC22 COLOR	161	4370YM09	VELCRO TAPE			
152	32100039	SEAT BASE WITH RELEASE LEVER ASS'Y	162	6610M009	BATTERY			
153	32103M01	SEAT BASE ASS'Y	163	4360JM94	BATTERY WASHER			
154	41700077	SLIDE MECH. ASS'Y., WITH RELEASE LEVER	164	63200012	CONNECTING WIRE,BATTERY (INCLUDING 40A FUES)			
155	31000089	ARMREST ASS'Y, LH	165	633M0007	POWER WIRE OF CONTROLLOR			
156	31000090	ARMREST ASS'Y, RH	166	6514M001	CHARGER UNIT, 4A			
157	43700401	ARM PAD,BLACK	167	6510M008	CHARGER			
158	46700006	BACK MIRROR, LH	168	63600035	AC CORD FOR AUSTRALIA			
159	46700008	BACK MIRROR, RH						
160	43780088	BASKET						