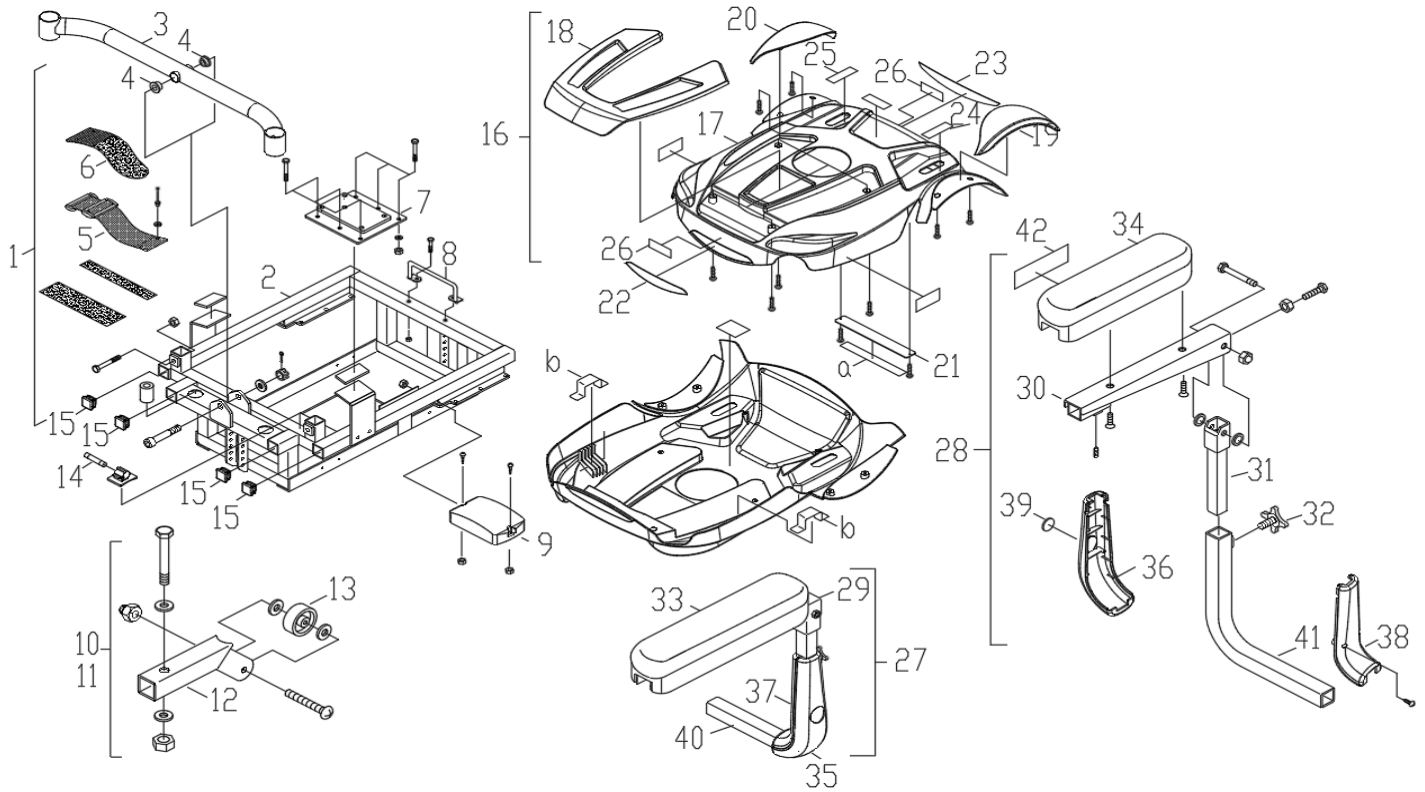
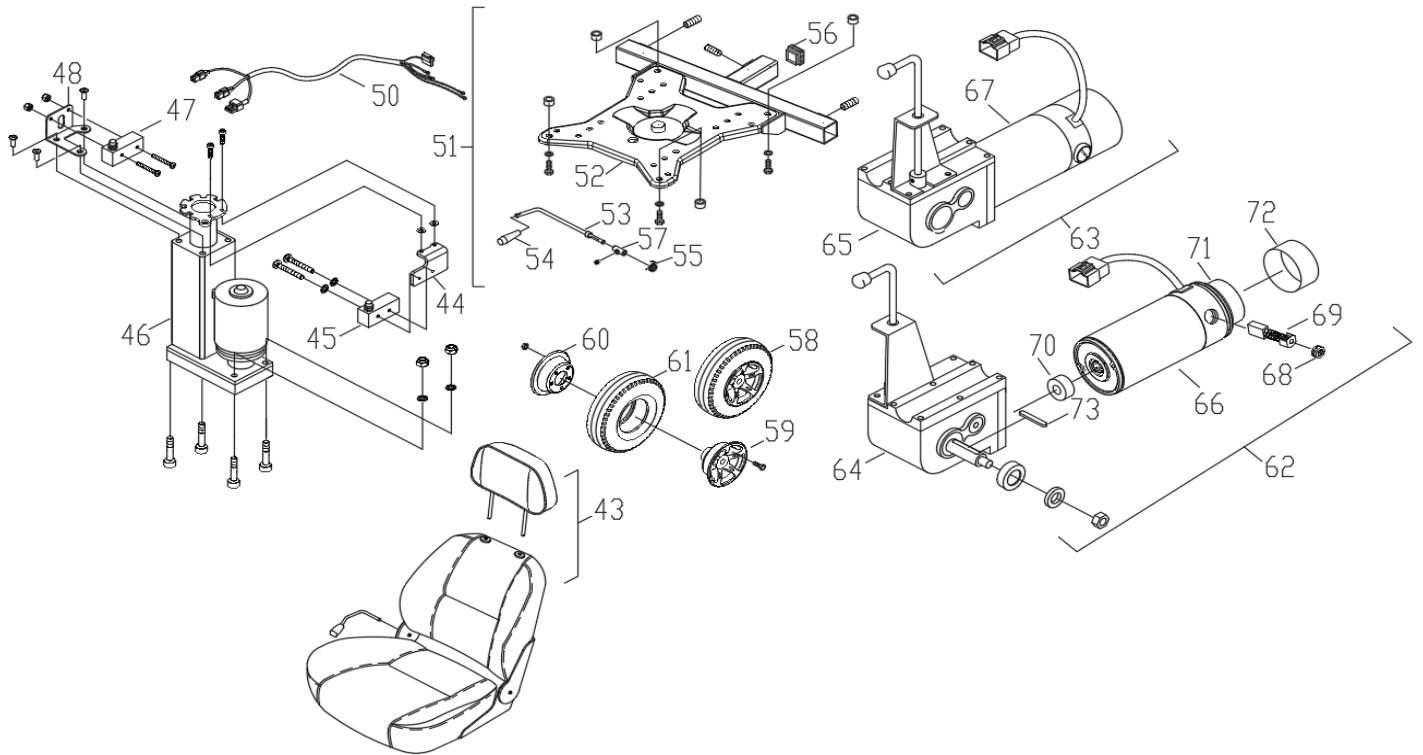


MODEL# P312A2SW
SW : P312A2ARSWB, P312A2LBSWB

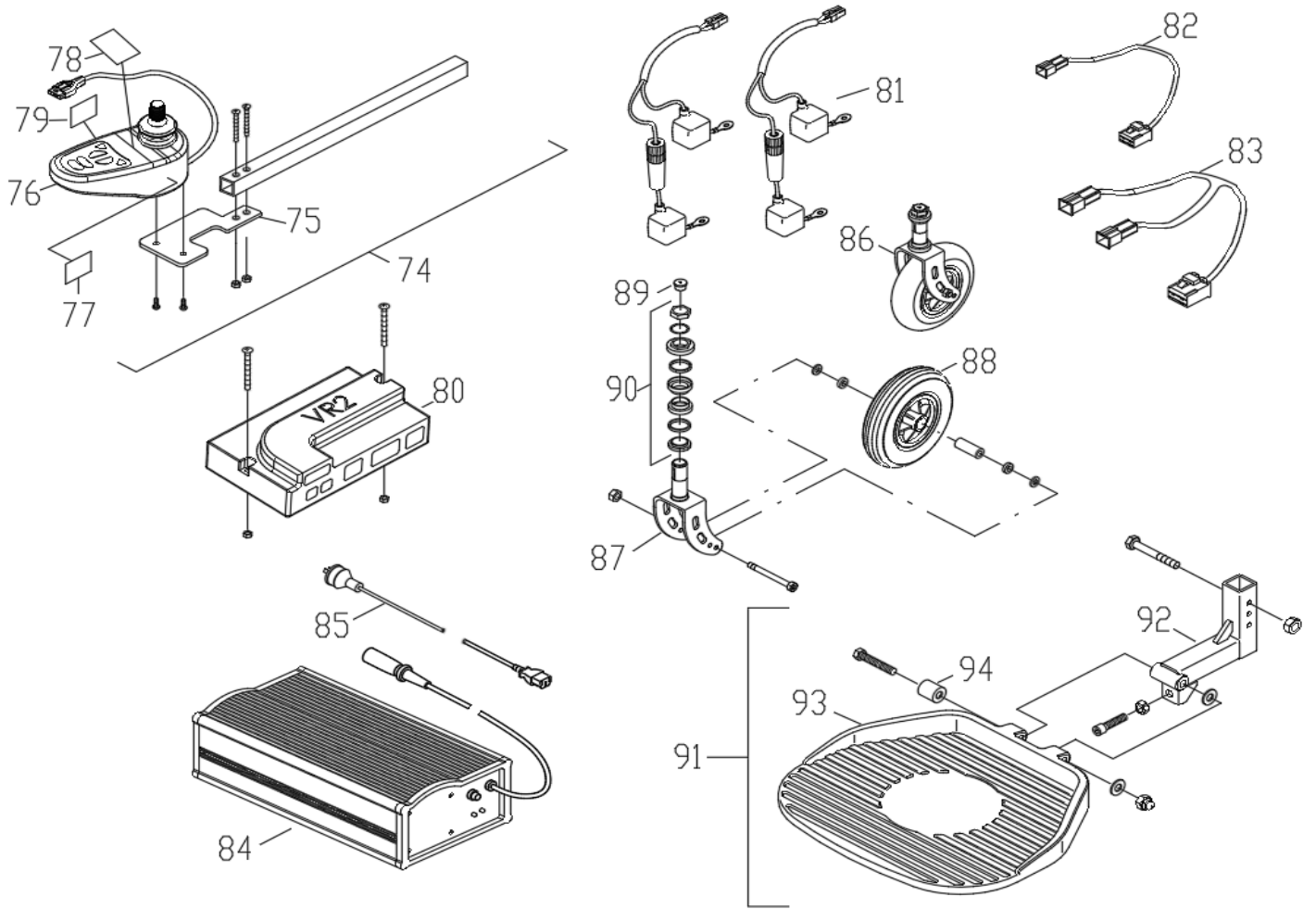
Rev: 0



| REF# | PART NO. | DESCRIPTION | REF# | PART NO. | DESCRIPTION | REF# | PART NO. | DESCRIPTION |
|------|----------|--|------|----------|--|------|----------|---|
| 1 | 30200783 | FRAME COMPLETE ASS'Y.,P312A | 16 | 30514159 | SHROUD ASS'Y, KITE BLUE, P312A SW, MERITS LOGO, DUALER | 29 | 31003016 | BRACKET, ARMPAD, LH |
| 2 | 30204057 | FRAME ONLY, P312 | 17 | 43690704 | SHROUD ONLY, P312A | 30 | 31003018 | BRACKET, ARMPAD, RH |
| 3 | 30204050 | FRONT CROSS BEAM, BLACK, MP-3C ,P312A | 18 | 31310034 | DECORATIVE COVER(FRONT), CANDY APPLE RED, P312A | 31 | 31003019 | HEIGHT ADJ.INNER TUBE, LH/RH |
| 4 | 42400020 | BUSHING, FLANGE, OD16*ID 12*12L | 18 | 30514160 | DECORATIVE COVER(FRONT), KITE BL | 32 | 43600317 | KNOB, M8*15L |
| 5 | 43700210 | VELCRO TAPE, FEMALE 50.8W*300L | 19 | 31310036 | FENDER, CANDY APPLE RED, LH, P312 | 33 | 43701072 | PAD, ARMREST(LONG),BLACK |
| 6 | 43700198 | BATTERY STRAP W,VELCO, MALE SIDE,W50.8*328L | 19 | 30514161 | FENDER, KITE BLUE, LH, P312A | 34 | 43701073 | PAD,ARMREST(SHORT),BLACK |
| 7 | 30204010 | BASEPLATE CONNECT PLATE ONLY, (BLACK), P312 | 20 | 31310035 | FENDER, CANDY APPLE RED, RH, P312A | 35 | 43610500 | PROTECTIVE SHROUD (L),ARMREST, ABS, BLACK |
| 8 | 30203018 | REAR SUPPORT BAR | 20 | 30514162 | FENDER, KITE BLUE, RH, P312A | 36 | 43610501 | PROTECTIVE SHROUD (R),ARMREST, ABS, BLACK |
| 9 | 64220005 | CONTROLLER ONLY, PG VR2-60-A1(D50682). | 21 | 41280556 | SUPPORT | 37 | 43610502 | PROTECTIVE COVER (L),ARMREST, ABS, BLACK |
| 10 | 34103057 | ANTI-TIPPER ASS'Y., LH, P312 | 22 | 75171590 | LABEL, FRONT REFLECTOR, RED, 184x22L | 38 | 43610503 | PROTECTIVE COVER (R),ARMREST, ABS, BLACK |
| 11 | 34103092 | ANTI-TIPPER ASS'Y, RH, P312 | 23 | 75171589 | LABEL, REAR REFLECTOR, RED, 242x24L | 39 | 43600546 | REFLECTOR,PE146, AMBER |
| 12 | 34103007 | ANTI-TIP TUBE P312 | 24 | 75100128 | LABEL, RELEASE LEVER, LH | 40 | 31003036 | ARM TUBE ONLY, LH |
| 13 | 43600308 | ANTI-TIP WHEEL, 50MM | 25 | 75100129 | LABEL, RELEASE LEVER, RH | 41 | 31003037 | ARM TUBE ONLY, RH |
| 14 | 61120035 | FUSE, MFB 60A | 26 | 75171466 | DECAL, MERITS LOGO, NI, 70x20L | 42 | 75171005 | LABEL,WARNING,69*24L |
| 15 | 43600515 | PLUG, RECTANGLE, 1" SQ2525-8 | 27 | 31000257 | ARMREST ASSY LH. | | | |
| 16 | 31310057 | SHROUD ASS'Y, CANDY APPLE RED, P312A SW, MERITS LOGO, DUALER | 28 | 31000258 | ARMREST ASSY RH. | | | |



| REF# | PART NO. | DESCRIPTION | REF# | PART NO. | DESCRIPTION | REF# | PART NO. | DESCRIPTION |
|------|----------|------------------------------|------|----------|--|------|----------|---|
| 43 | 32228057 | SEAT ONLY | 55 | 53500029 | TORQUE SPRING,LEVER | 67 | 62120076 | MOTOR ONLY, MIDG/H, RH |
| 44 | 41200405 | BASE PLATE,LIMIT SWITCH. | 56 | 43600306 | PLUG, SQUARE, 30*30 | 68 | 62400026 | PLSINDV1209. CARBON BRUSH CAP FOR SCOOTER MOTOR, 7*11MM |
| 45 | 61090001 | LIMITED SWITCH, Z15G1307 | 57 | 41500007 | LOCATING,R.LEVER | 69 | 62400012 | DRVBRSH1020. CARBON BRUSH, 7*11MM |
| 46 | 62100077 | SEATLIFT MOTOR ASS'Y. | 58 | 32600501 | DRIVE WHEEL ASSY. 3.00-4 PU FOAM FILLED, BLACK | 70 | 62409046 | HEAVY DUTY COUPLER,φ27×15.2L |
| 47 | 61090001 | LIMITED SWITCH, Z15G1307 | 59 | 42500154 | ALUM. WHEEL RIM, BLACK, 4" | 71 | 62300008 | ELECTROMAGNETIC BRAKE (W/SCREWS) |
| 48 | 41200177 | CURRENT BRACK MOUNTING PLATE | 60 | 41200535 | STEEL CENTER, BLACK, 5 HOLES | 72 | 62400043 | COVER FOR BRAKE φ82*43L |
| 49 | 50104035 | SCREW, PPH, BZ, M4*25L | 61 | 43690143 | 10" PU TIRE BLACK | 73 | 54300036 | AXLE KEY, 6x6x38L |
| 50 | 63331805 | HARNESS, SEAT LIFT, VR2 | 62 | 62010130 | MOTOR & GEARBOX ASS'Y.,M114DH-4, LH | | | |
| 51 | 32100054 | SEAT BASE ASS'Y,P312. | 63 | 62020130 | MOTOR & GEARBOX ASS'Y.,M114DH-4, RH | | | |
| 52 | 32103056 | SEAT PLATE ONLY,(ED), P312 | 64 | 62410042 | GEARBOX ONLY, M1F-4,1:28, LH | | | |
| 53 | 24210002 | RELEASE LEVER, "L" TYPE | 65 | 62420042 | GEARBOX ONLY, M1F-4,1:28, RH | | | |
| 54 | 44600060 | BLACK TIP, R.LEVER | 66 | 62110076 | MOTOR ONLY, MIDG/H, LH | | | |



| REF# | PART NO. | DESCRIPTION | REF# | PART NO. | DESCRIPTION | REF# | PART NO. | DESCRIPTION |
|------|----------|--|------|----------|---|------|----------|-----------------------|
| 74 | 33703054 | JOYSTICK BRACKET ASSY., VR2 & SEAT LIFT. | 84 | 65140414 | CHARGER, HP0180WB 24V/5A-OFF BOARD | 94 | 24330019 | SLEEVE, BRASS |
| 75 | 34103169 | MOUNTING PLATE SET, FOR VR2, RH | 85 | 63600035 | AC CORD FOR AUSTRALIA | 95 | 43700157 | SAFETY BELT, 40" STD. |
| 76 | 64820001 | JOYSTICK ONLY, P&G VR2 A2, JSM-A(D50680) | 86 | 33000147 | 200*50 BLACK PU CASTER WHEEL ASSY., W/FORK(LS-W201A)LH/RH | 96 | 66100024 | BATTERY, UI-34 34AH |
| 77 | 75100121 | LABEL, EMC WARNING | 87 | 33104001 | FORK ONLY., BLACK | | | |
| 78 | 75132808 | LABEL, POWER OFF, 63.5*19.1L | 88 | 43690149 | WHEEL ASSY., 200*50 PU, BLACK, LS-W201A | | | |
| 79 | 75132809 | LABEL, READ & FOLLOW, 45*20L | 89 | 43600248 | END PLUG, 7/8".BLACK | | | |
| 80 | 64220005 | CONTROLLER ONLY, PG VR2-60-A1(D50682). | 90 | 53400024 | BEARING SET OF THE BEARING HOUSE | | | |
| 81 | 63230702 | CONNECTING WIRE WITH COVER | 91 | 33303047 | ALUM. FOOTPLATE&BRACKETASSY | | | |
| 82 | 63600051 | ELECTRIC TIE LINE, VR2, P310 | 92 | 33303003 | BRACKET, FOOTPLATE,MP-3C | | | |
| 83 | 63334501 | WIRE, COMMUNICATION BUS, FOR PG VR2 | 93 | 42589073 | ALUM. FOOTREST PLATE, BLACK, W/ HOLE, V TYPE | | | |