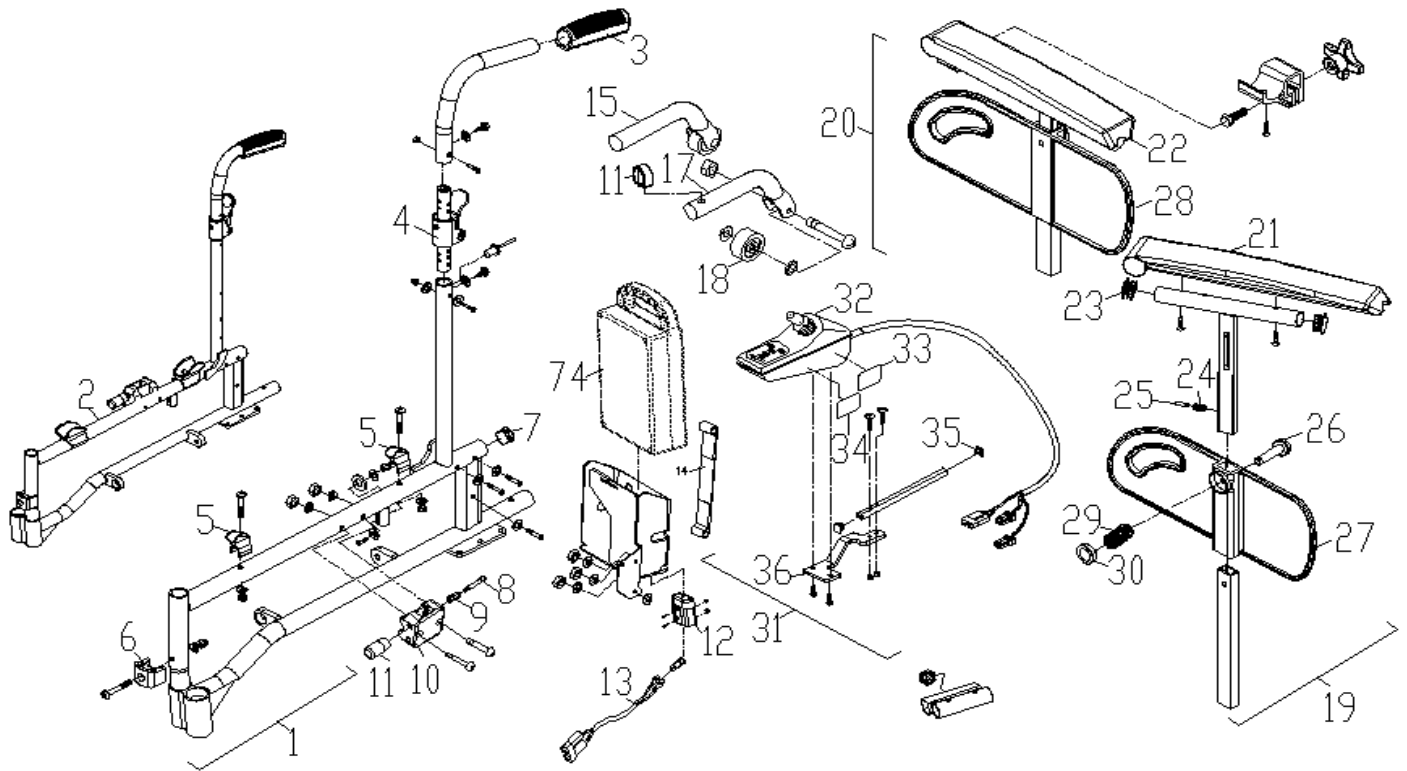
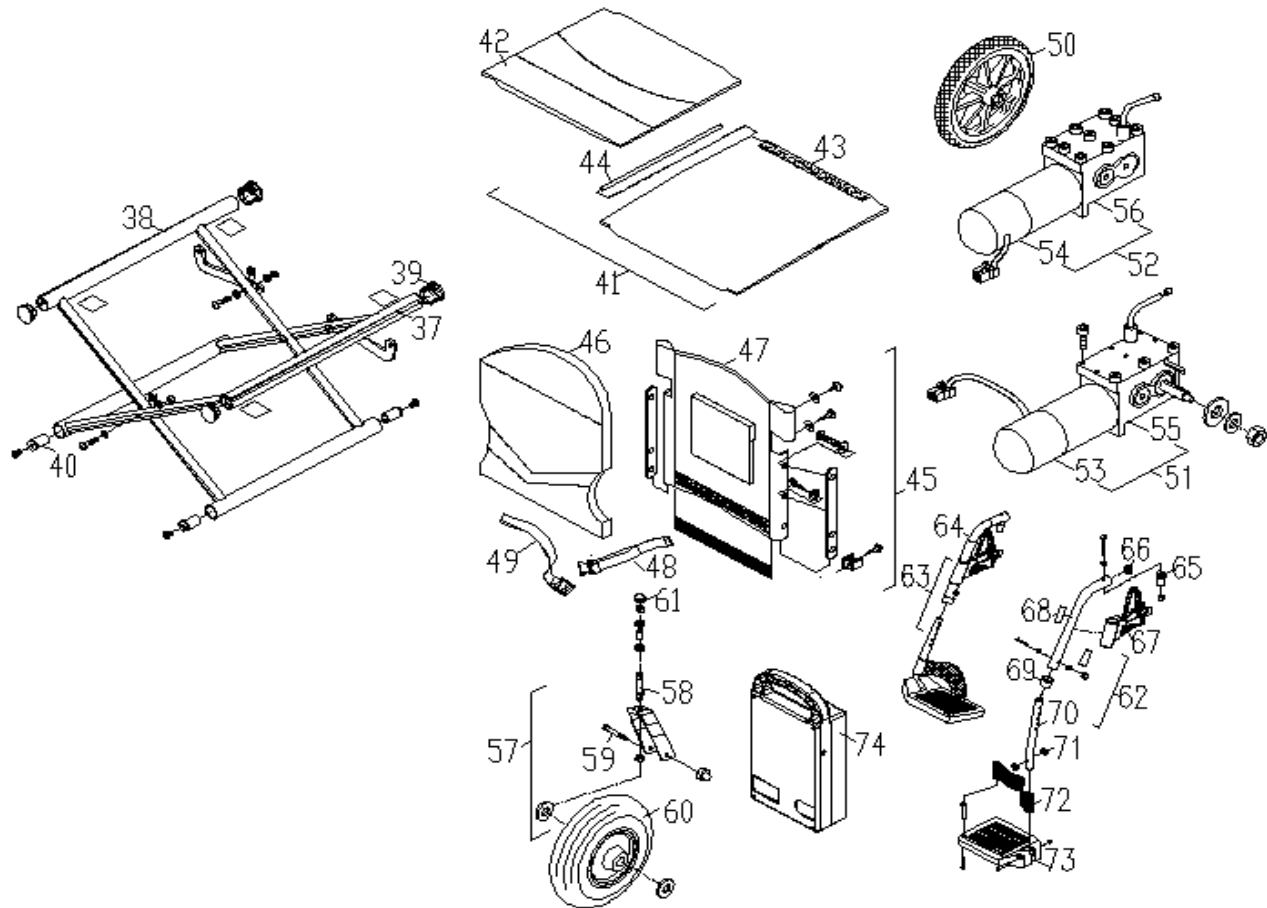


MODEL#P108A-SW
 SW : P108A-SVSWBL

Rev: 0



REF#	PART NO.	DESCRIPTION	REF#	PART NO.	DESCRIPTION	REF#	PART NO.	DESCRIPTION
1	30122M14	FRAME ASSY L	17	34003M76	ANTI-TIPPER TUBE ASS'Y	33	75132809	READING LABEL
2	30122M15	FRAME ASSY R	18	44600014	WHEEL, 40MM, ANTI-TIPPER	34	75132808	ON/OFF WARNING LABEL
3	43600033	BLACK PUSH HAND GRIP WITH RED REFLE	19	3100JM23	ARMREST ASSY L	35	43600255	SQUARE PLUG, BLACK
4	42500M63	HINGEPLATE FOR FOLDING BACK	20	3100JM24	ARMREST ASSY R	36	41200338	MOUNTING PLATE
5	4360NM45	SEAT TUBE PAD	21	4360LM17	ARMREST PAD, LH			
6	4360MM77	FOOTREST LOCKING BLOCK, BLACK	22	4360LM18	ARMREST PAD, RH			
7	43600039	25 DIA END PLUG, φ1"×0.9t	23	43600037	7/8" PLUG, BLACK			
8	4130BM52	DRAW PIN	24	53500M76	COMPRESSION SPRING			
9	53500M83	COMPRESS SPRING	25	4360IM89	LOCATION PIN			
10	4360KM13	BLOCK FOR ARMREST	26	4130BM53	PIN			
11	4360KM12	FULL BAR	27	4360KM14	SIDE PANEL,LH			
12	4360QM51	CONTACT SHOE	28	4360KM15	SIDE PANEL,RH			
13	633M0014	POWER WIRE OF CONTROLLOR	29	53500M83	COMPRESS SPRING			
14	4370YM53	BATTERY STRAP	30	4360KM11	PUSH BUTTON			
15	34003M75	TIPPER TUBE ASS'Y	31	33703M12	CONTROLLOR ASS'Y			
16	4360BM48	FIXED PIN OF FOOT TUBE	32	64120023	CONTROLLER, P&G VSI 50 (ANDERSON)			



REF#	PART NO.	DESCRIPTION	REF#	PART NO.	DESCRIPTION	REF#	PART NO.	DESCRIPTION
37	31122M12	CROSS BRACE ASSY L	53	62112045	MOTOR ASSY L	69	43600166	BLACK ANTI-TIPPING CAP
38	31122M13	CROSS BRACE ASSY R	54	62122045	MOTOR ASSY R	70	33303M03	EXTENSION TUBE
39	4360IM41	PLUG	55	62412072	GEARBOX ASSY L, M72-30	71	43600187	BLACK WASHER (SPACER) FOR EXTENSION TUBE
40	4360JM26	PLASTIC BUSHING	56	62422072	GEARBOX ASSY R, M72-30	72	4370BM51	HEEL BELT
41	3200TM07	SEAT UPHOLSTERY ASSY	57	3300AM40	CASTER ASSY	73	43600189	18" BLACK PLASTIC FOOTPLATE
42	4371AM55	SEAT PAD	58	41300M24	STEM	74	33700M73	BATTERY ASSY
43	4370TM93	SEAT UPHOLSTERY ASSY	59	51008023	AXLE, BLACK, M8 x 82L			
44	4360IM37	LEVER	60	3300AM29	PU WHEEL			
45	3200TM08	BACK UPHOLSTERY ASSY	61	43600M36	DUST-PROOF CAP			
46	4371AM56	BACK PAD	62	33322M17	FOOTREST ASSY L			
47	4370YM11	BACK UPHOLSTERY ASSY	63	33322M18	FOOTREST ASSY R			
48	43700M35	BELT	64	33322M19	FOOTREST TUBE ASSY			
49	43700M36	BELT	65	43600180	PLASTIC FOOTREST GUIDE, FOR 318-23			
50	4360QM94	PU TYRE	66	43600039	25 DIA END PLUG, φ1"×0.9t			
51	62012054	TRANSAXLE ASSY L	67	33300M35	CAMLOCK			
52	62022054	TRANSAXLE ASSY R	68	75101M72	LOGO LABEL			