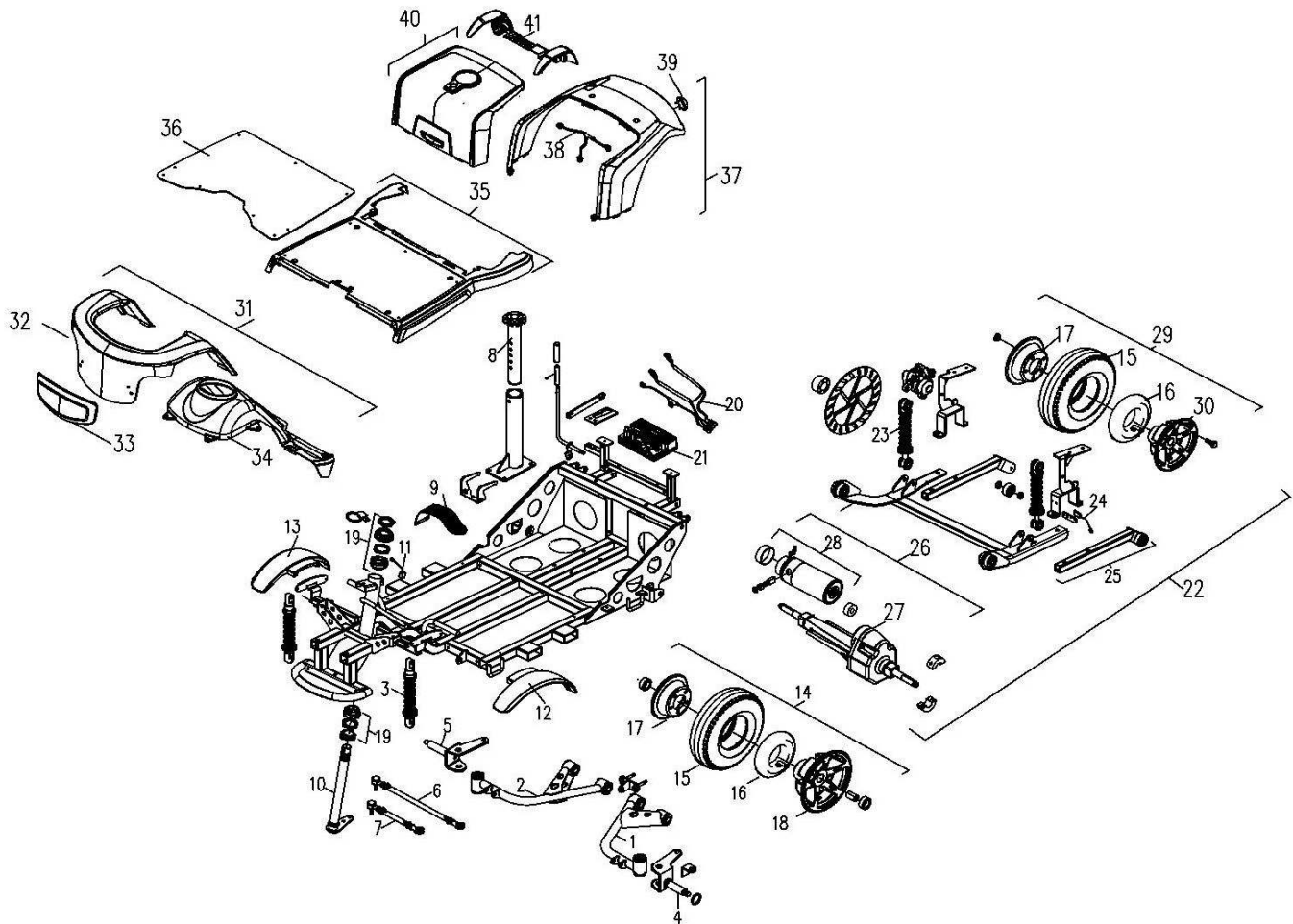
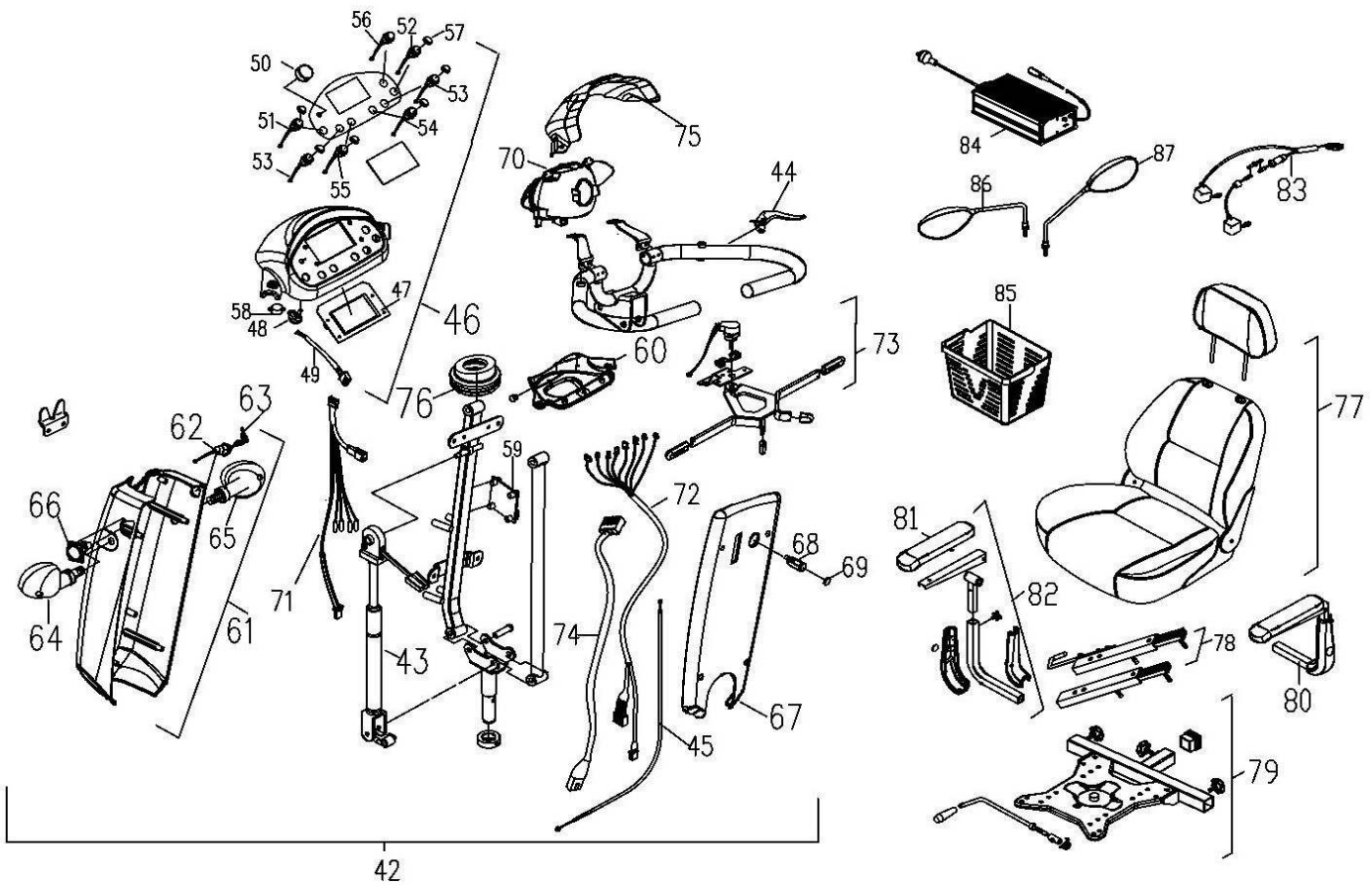


MODEL#S846C

Rev: 0



REF#	PART NO.	DESCRIPTION	REF#	PART NO.	DESCRIPTION	REF#	PART NO.	DESCRIPTION
1	30300059	FRONT SUSPENSION ASSY S846, LEFT	19	53400023	BEARING ONLY, FORK 7 PCS/SET	32	30514017	FRONT SHROUD ONLY(FRONT), KITE BLUE, S846A
2	30300060	FRONT SUSPENSION ASSY RIGHT, S846	20	63370420	POWER HARNESS,DS160/S347	32	30541101	FRONT SHROUD ONLY(FRONT), BRIGHT RED, S846A
3	41700113	SUSPENSION,165L,BLACK (150LBS/IN)	21	64510008	CONTROLLER, DYNAMIC RHINO DS160 RHINO2	33	30514006	DECORATIVE PLATE, KITE BLUE
4	30303007	FRONT WHEEL AXLE ONLY LEFT	22	30400399	REAR FRAME ASSY S846C1	33	30541100	DECORATIVE PLATE, BRIGHT RED
5	30303022	FRONT WHEEL AXLE ONLY, RIGHT	22	30400400	REAR FRAME ASSY S846C2	34	43690305	FRONT SHROUD ONLY(MID), GRAY BLACK, S846A
6	30302003	ADJUST SHAFT, LONG 10*356L	23	41700105	SUSPENSION BLACK/165L(550LBS/IN)	35	30500354	FRONT SHROUD ASSY(REAR)
7	30302004	ADJUST SHAFT, SHORT 10*156L	24	61090063	SPRING SWITCH,PS8-23	35	43690304	FRONT SHROUD ONLY(REAR), GRAY BLACK, S836A
8	32100025	UPPER SEAT TUBE ASSY.	25	30300511	ANTI-TIP WHEEL ASSY	36	44689097	RUBBER MAT, BLACK, S846A
9	43700203	BATTERY STRAP, 50*660L	26	62001300	TRANSAXLE ASSY,MM418QT-6 S846C1	37	30514018	REAR SHROUD ASSY., KITE BLUE, S846C1
10	30303062	STEERING AXLE ASSY (ED)FOR S840	26	62001313	TRANSAXLE ASSY,MM419PH-6 S846C2	37	30541098	REAR SHROUD ASSY., BRIGHT RED, S846C1
11	63742002	SENSOR, HALF SPEED	27	62201262	TRANSAXLE S846C1	37	30514027	REAR SHROUD ASSY., KITE BLUE, S846C2
12	43690241	FRONT FENDER (L)	27	62201263	TRANSAXLE S846C2	37	30541109	REAR SHROUD ASSY., BRIGHT RED, S846C2
13	43690242	FRONT FENDER (R)	28	62101300	MOTOR SET,M4QT-6 S846C1	38	63453024	CONNECTION WIRING FOR REAR LIGHTS
14	33100726	FRONT WHEEL ASSY.,4.00-5(5"),SILVER	28	62101305	MOTOR SET,M4PH-6 S846C2	39	61200207	REAR LIGHTING ASSY.
15	44600119	OUTER TIRE BLACK, 4.00-5	29	32600497	REAR DRIVE WHEELS ASSY.,SILVER	40	30300512	BATTERY COVER ASSY.
16	44600140	INNER TUBE ONLY, 4.00-5	30	42500256	5" ALU. RIM, REAR WHEEL,BLACK 5 HOLE,SILVER	40	30300514	BATTERY COVER ASSY., 12KPH
17	41200536	STEEL CENTER, BLACK, 5 HOLES	31	30514016	FRONT SHROUD ASSY(FRONT) KITE BLUE	41	43690209	FENDER COVER
18	42500255	FRONT WHEEL RIM(5"),W/O LOGO,5 HOLES,SILVER	31	30541097	FRONT SHROUD ASSY(FRONT)BRIGHT RED			



REF#	PART NO.	DESCRIPTION	REF#	PART NO.	DESCRIPTION	REF#	PART NO.	DESCRIPTION
42	33500444	TILLER ASSY., KITE BLUE	58	61170001	HORN, ARIO B24W29B	73	33500110	THROTTLE LEVER ASSY.
42	33500445	TILLER ASSY., BRIGHT RED	59	61100069	POWER CONVERT BOARD	74	63742003	SENSOR, HALF SPEED
43	41300570	ELEVATING CYLINDER	60	30514021	LOWER DASHBOARD ONLY, KITE BLUE	75	30514025	COVER SHROUD, FOR DASHBOARD, KITE BLUE
44	42700041	LEVER BRAKE, RH	60	30541105	LOWER DASHBOARD ONLY, BRIGHT RED	75	30541108	COVER SHROUD, FOR DASHBOARD, BRIGHT RED
45	34200116	HANDBRAKE CABLE	61	30514023	FRONT DASHBOARD ASSY., KITE BLUE	76	44689071	RUBBER BOOT, NBR, φ112*61.4, SW
46	30514019	UPPER DASHBOARD ASSY., KITE BLUE	61	30541104	FRONT DASHBOARD ASSY., BRIGHT RED	77	32228013	CAPTAIN SEAT ONLY, WITH/ RECLINE & MC7/MC22 COLOR
46	30541103	UPPER DASHBOARD ASSY., BRIGHT RED	62	63700036	KEY SWITCH W/CONNECTING WIRE, S830	78	41700077	SLIDE MECH. ASSY., WITH RELEASE LEVER
47	61108245	LCD DASHBOARD	63	33700217	KEY&KEY RING	79	32100039	SEAT BASE WITH RELEASE LEVER ASSY
48	61020006	POTENTIMETER., VR30K, COSMOS RV24	64	61200050	INDICATOR UNIT, LEFT (24V/ 5W)	80	31000342	ARMREST ASSY., LH
49	63947901	CONNECTING WIRE, SPEED POT,S150	65	61200051	INDICATOR UNIT, RIGHT (24V/ 5W)	81	43700401	ARM PAD,BLACK
50	61180055	SPEED KNOB,CF-U1-6-1S(6.4)W53	66	33710008	CHARGER SOCKET SET	82	31000343	ARMREST ASSY., RH
51	33700309	LEFT DICTATOR LIGHT SWITCH SET,S150	67	30514024	REAR DASHBOARD ONLY, KITE BLUE	83	63243801	BATTERY CABLE, W/80A FUSE
52	33700310	RIGHT DICTATOR LIGHT SWITCH SET,S150	67	30541107	REAR DASHBOARD ONLY, BRIGHT RED	84	33700462	CHARGER,HP0240WB 24V 8A,WITH CORD
53	33700311	HORN SET,S150	68	61138003	CABLE, PLUG.	85	43780088	BASKET, PLASTIC
54	33700312	HEADLIGHT SWITCH,S150	69	61230106	12V SOCKET COVER.	86	46700006	BACK MIRROR, LH
55	33700313	HAZARD LIGHT SET,S150	70	61200148	HEAD LIGHT ASSY,NE1-24V/18W	87	46700008	BACK MIRROR, RH
56	33700314	HALF SPEED SET,S150	71	63453023	FRONT LIGHT CABLE			
57	44600401	WATER PROOF CAP	72	63180075	MAIN CABLE FOR TILLER, S846A			