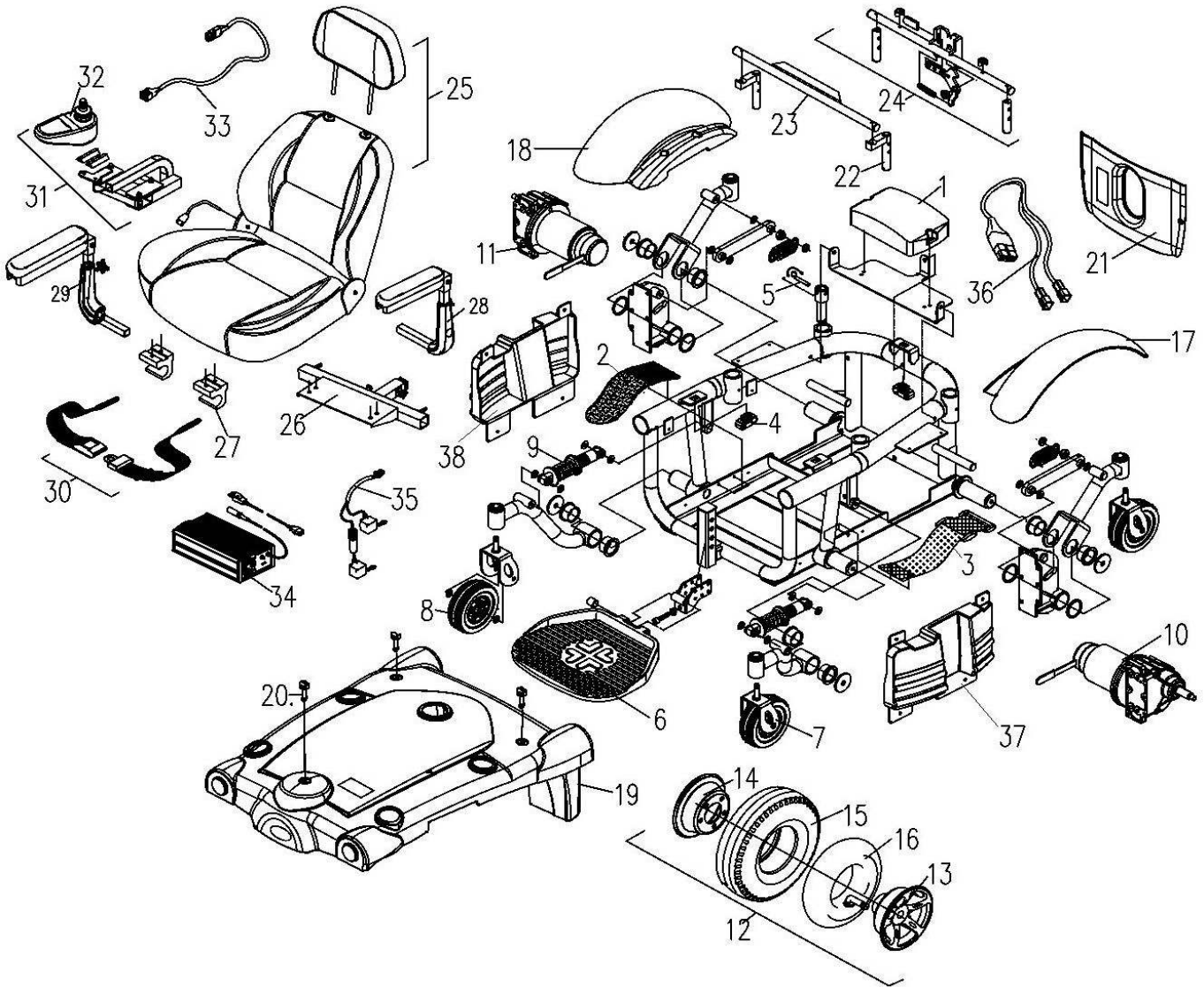


MODEL#P327-2SW

Rev: 0



REF#	PART NO.	DESCRIPTION	REF#	PART NO.	DESCRIPTION	REF#	PART NO.	DESCRIPTION
1	64210011	CONTROLLER ONLY, SHARK-50A, DK-PMB50	15	44600141	TIRE ONLY 4.00-5.GRAY.	27	41300416	EXTRUSION, ALUMNUM, HOOK FOR SEAT
2	43700209	VELCRO TAPE (M), JET 1	16	44600140	INNER TUBE ONLY, 4.00-5	28	31000078	ARMREST ASS'Y., LH
3	43700210	VELCRO TAPE, FEMALE 50.8W*300L	17	30510899	FENDER, CANDY APPLE RED, LH	29	31000088	ARMREST ASS'Y., RH
4	43600540	CLIP, SNAP-IN POM φ6.3*25.4L	17	30515990	FENDER, BLUE, LH	30	43700319	SEAT BELT 1725MM LOOP TYPE
5	54200011	HITCH-PIN 8MM OD, 40MML	18	30510900	FENDER, CANDY APPLE RED, RH	31	33503064	JOYSTICK BRACKET ASS'Y., SHARK, ED
6	42500031	ALUM. FOOTPLATE, BLACK	18	30515989	FENDER, BLUE, RH	32	64810013	JOYSTICK ONLY, DY SHARK, DK-REMD01
7	33100689	CASTER FORK ASSY, HD(42MM),6*2" PU WHEEL, GRAY	19	30500115	SHROUD ASS'Y.	33	63300042	ELECTRONIC, HARNESS, DY FLIGHT BUS CABLE, 1.5M.
8	33000135	6*2" PU WHEEL, LS-W246, GRAY	20	43600568	PLASTIC FASTEN BOLT, BLACK, 1/4",DIA 6.3*21.6L	34	65000084	CHARGER
9	41700223	ABSORBER 165L 300LBS/IN	21	43600608	REAR SHROUD ONLY, BLACK	35	63200088	BATTERY CABLE
10	62012009	MOTOR & GEARBOX ASS'Y.,LH., M9L01EA-5	22	32102001	TRAPEZE BAR UPRIGHT WELDMENT, 2 HOLE, FRONT	36	63334601	WIRE, CONTROLLER, 440L, P326
11	62022009	MOTOR & GEARBOX ASS'Y.,RH., M9L01EA-	23	32103073	SEAT TOWER, HORIZONTAL, FRONT TRAPEZE BAR, ED.	37	44600508	SHROUD ONLY, BLACK, LH., P327
12	32600423	12" REAR WHEEL ASS'Y., 4.00-5, BLACK RIM,GRAY TIRE.	24	32100076	SEAT TOWER ASSY, HORIZONTAL, REAR TRAPEZE BAR	38	44600509	SHROUD ONLY, BLACK, RH., P327
13	42500149	5" ALU. RIM, REAR WHEEL,BLACK 5 HOLE	25	32222085	CAPTAIN SEAT ONLY,			
14	41200536	STEEL CENTER, BLACK, 5 HOLES	26	32100180	SEAT MOUNTING ASS'Y., P327			