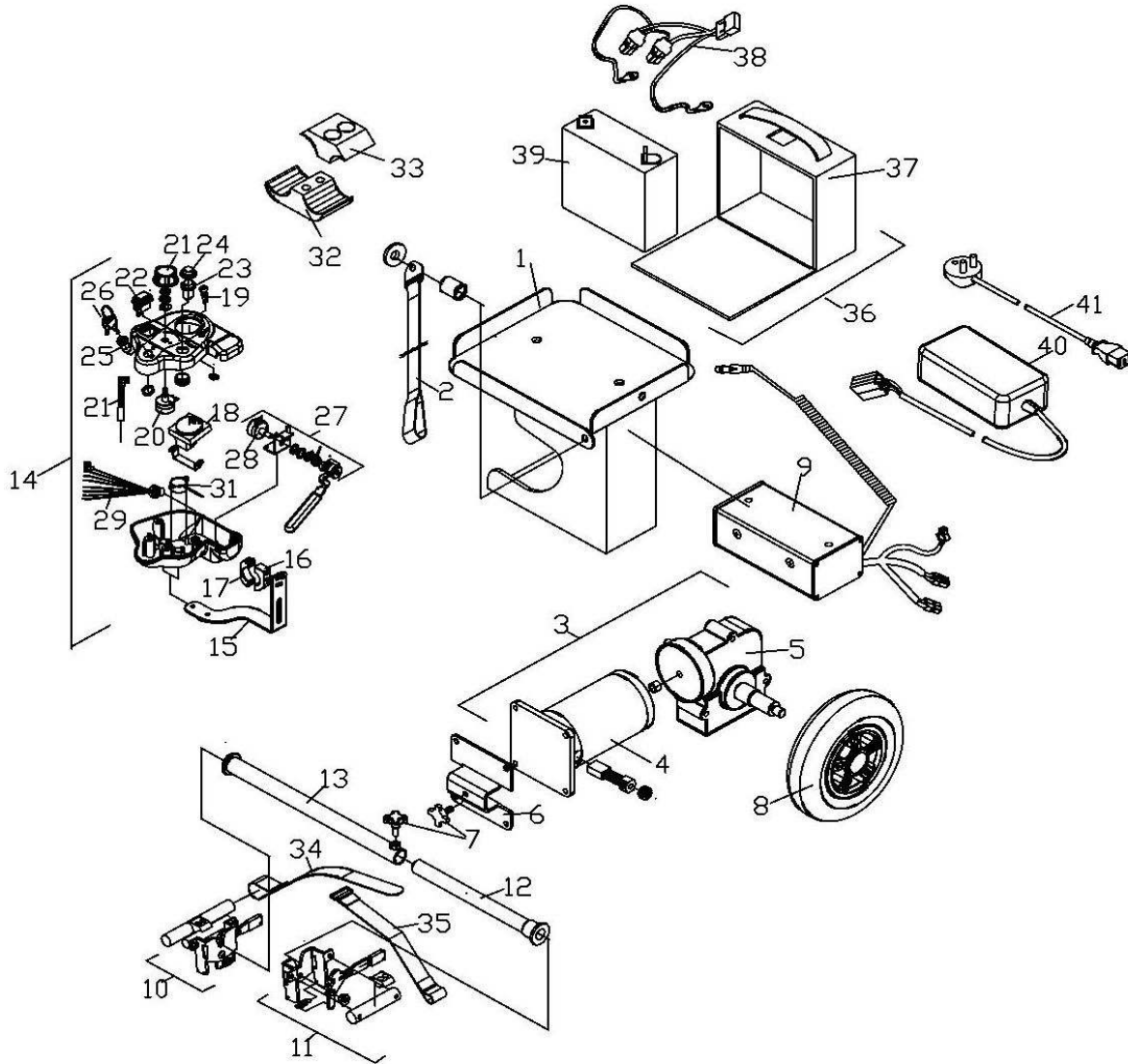


MODEL#P001E-SW

Rev: 0



REF#	PART NO.	DESCRIPTION	REF#	PART NO.	DESCRIPTION	REF#	PART NO.	DESCRIPTION
1	34000055	MOTOR BRACKET SET,ED	16	42300350	HAND CONTROL MOUNTING CLAMP FEMALE P001	31	61170008	BUZZER
2	43700539	BELT	17	42300351	HAND CONTROL MOUNTING CLAMP MALE P001	32	42300105	UPPER MOUNTING BLOCK, WAVE TYPE, BLACK, φ25.4
3	62009053	TRANSAXLE ASSY	18	61168013	BATTERY METER, 306D12V	32	42300066	UPPER MOUNTING BLOCK, WAVE TYPE, BLACK,φ22.2
4	62109037	MOTOR SET	19	61200004	POWER INDICATOR, GREEN, L-608	33	42300106	LOWER MOUNTING BLOCK, WAVE TYPE, BLACK,φ25.4
5	62409007	GEAR BOX SET	20	61020025	VR10K.TOCOS.RV24YN20SB103	33	42300067	LOWER MOUNTING BLOCK, WAVE TYPE, BLACK,φ22.2
6	41300551	MOTOR BRACKET SET,BLACK	21	61180107	KNOB,RN-99C	34	43700542	STRAP, MALE
7	43600227	KNOB, BLACK	22	61098034	SWITCH,R13-66A8	35	43700543	STRAP, FEMALE
8	32600422	TIRE,PU,MAG WHEEL,DRIVE WHEEL W/RIM COVER	23	61090036	HORN SWITCH(YELLOW) 307B-11-Y	36	34200242	BATTERY BAG ASSY
9	33700497	CONTROL BOX FOR POWERPACK P001E	24	44600401	WATER PROOF CAP	37	43700540	BATTERY BAG
10	34000066	MOUNTING BRACKET RH	25	61090081	KEY SWITCH	38	63270421	BATTERY CONNECT WIRE
11	34000067	MOUNTING BRACKET, LH	26	61230103	KEY	39	66110011	BATTERY 22-12 12V/22AH
12	34001062	TELESCOPE(SHORT)	27	34000096	THROTTLE LEVER ASS'Y., P001E/THUMB	40	65142019	BATTERY CHARGER HP1202A 12V/3A
13	34001063	TELESCOPE(LONG)	28	61020014	POTENTIOMETER	41	63600014	AC CORD, CHARGER, AUSTRALIA STYLE PLUG
14	34000094	UPPER CONTROLLER ASS'Y W/BRACKET	29	63370471	CONTROLLER CONNECTING WIRE			
15	41280379	BRACKET	30	63980059	BATTERY METER WIRE, P001E			